

1. General

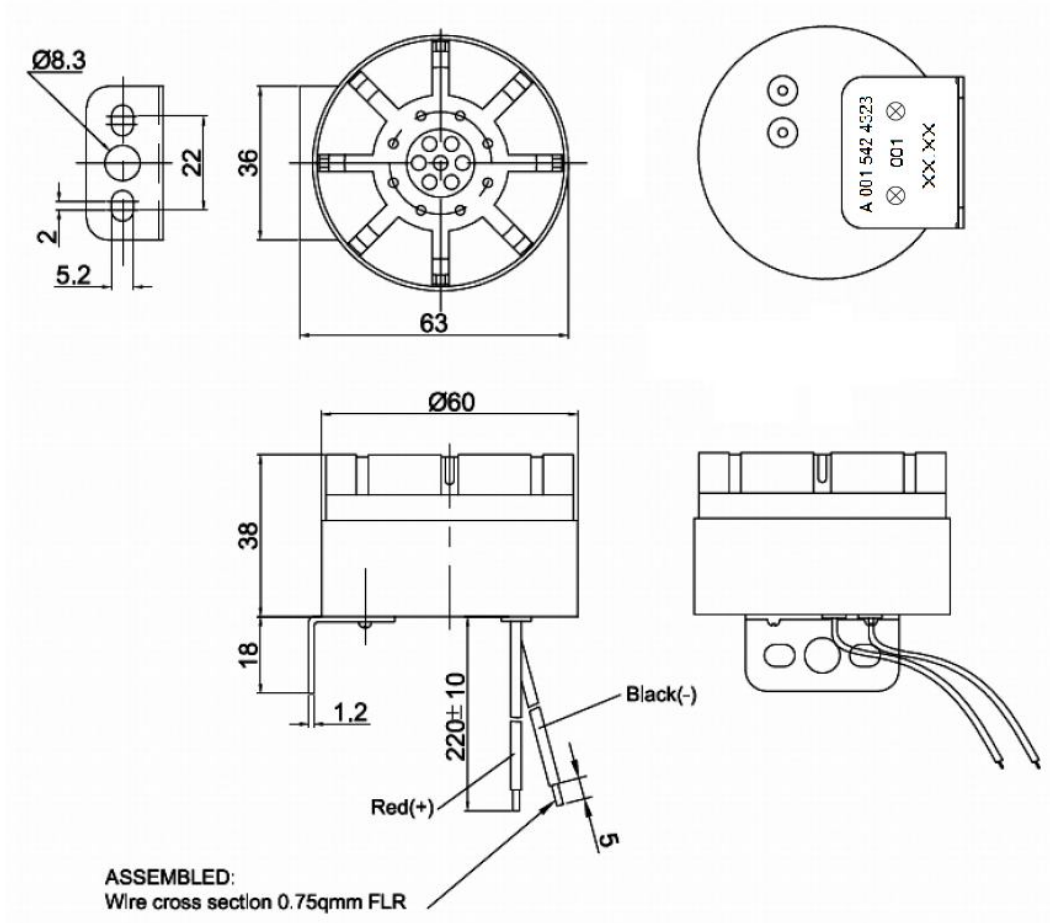
| | | | |
|------------------------|--|-----------------------|-------|
| operating temperature: | -20°C to +80°C | component weight [g]: | 170 |
| storage temperature: | -20°C to +80°C | | |
| contact: | WIRE | housing color: | black |
| packageing: | box | IP rating: | 67 |
| ESD conform | <input checked="" type="checkbox"/> | | |
| remark: | a.) Trigger with power supply, the alarm begins with SPL1 b.) interrupt power max 1.5s, then trigger again, the alarm will switch to SPL2 c.) if interruption of power is longer than 1.5s, trigger power again, it will get SPL1 AMP connector, CE cert. | | |
| RoHs conform: | yes | | |

2. Electrical and acoustical specification

| | | |
|--------------------------|-----------------|-------------|
| Rated voltage [V] | | 12 / 24 |
| Operating voltage [V] | | 11 - 28 |
| Resonant frequency [Hz] | | 1000 ± 300 |
| SPL [dBA]: | SPL1/SPL2 in 1m | 96/80 ± 3 |
| | SPL2 in 1m | |
| Current consumption [mA] | | ≤ 300 |
| Tone constant-pulse: | | pulse |
| on-off cycles: | | 80 c/m ± 20 |
| Remark: | | |

| | | | | | |
|----------------------------------|-----------------|-------------------------------|---------------------------|-------------|--------------|
| GREWUS | | dimensions without tolerance: | scale: | | |
| Designed by: | Ralf Hinnerichs | 15.11.2007 | part number: | index: | Last change: |
| Released by: | Ralf Hinnerichs | 15.11.2007 | HU2SPL-Speaker-01A | A | 20.08.2008 |
| drawing number: 393339796 | | Backup alarm | | Page 1 of 3 | |

3. Component drawing

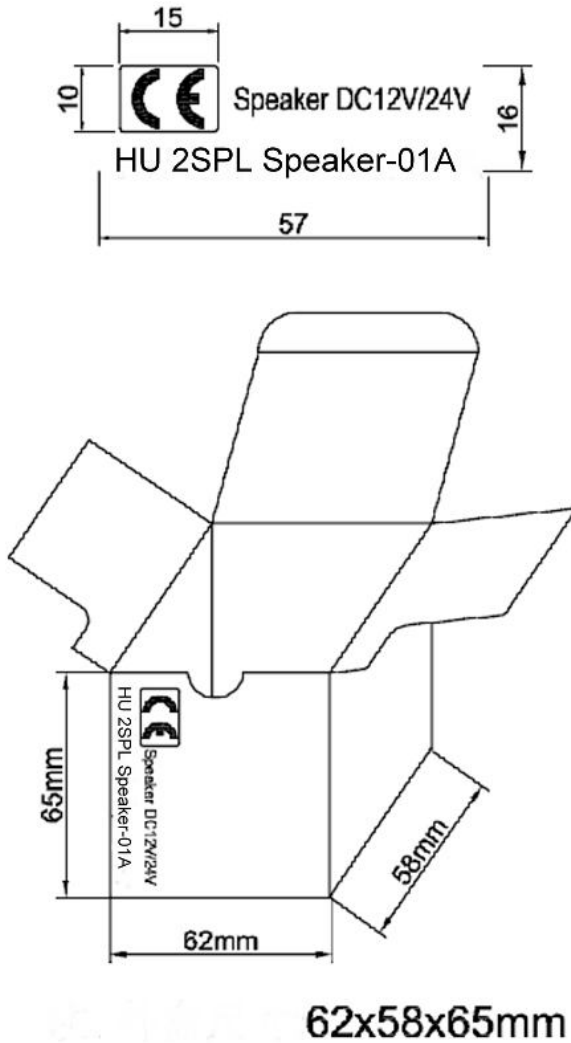


manufactured
 Cable diameter 0,75qmm FLR
 Connector AMP Nr.: 1-967 570-3
 DC Nr.: A 210 540 47 81
 Pin 1= +; Pin 2 = -
 Contacts AMP Type MQS
 Tyco No. 965 908-1
 DC No.: A 029 545 44 28
 Single seal AMP No.: 967 067-1
 DC No.: A0005456980

Installation position: arbitrary

| | | | | |
|----------------------------------|------------|-------------------------------|----------|--------------|
| GREWUS | | dimensions without tolerance: | scale: | |
| Designed by: Ralf Hinnerichs | 15.11.2007 | part number: | index: | Last change: |
| Released by: Ralf Hinnerichs | 15.11.2007 | HU2SPL-Speaker-01A | A | 20.08.2008 |
| drawing number: 393339796 | | Backup alarm | | Page 2 of 3 |

4. Packageing drawing



Carton

Size: 56x37x33,5cm Smalest unit: box

Quantity: 200 pcs / carton quantity smalest unit: 1

Weight:

further packageing information: 2x cartons a 100pcs in one big carton

| | | | | |
|----------------------------------|------------|-------------------------------|----------|--------------|
| GREWUS | | dimensions without tolerance: | scale: | |
| Designed by: Ralf Hinnerichs | 15.11.2007 | part number: | index: | Last change: |
| Released by: Ralf Hinnerichs | 15.11.2007 | HU2SPL-Speaker-01A | A | 20.08.2008 |
| drawing number: 393339796 | | Backup alarm | | Page 3 of 3 |