

1. General

operating temperature: -20°C to +80°C component weight [g]: 85
 storage temperature: -20°C to +80°C
 contact: WIRE housing color: black
 packaging: box IP rating: 67
 ESD conform
 remark:
 RoHs conform: yes

2. Electrical and acoustical specification

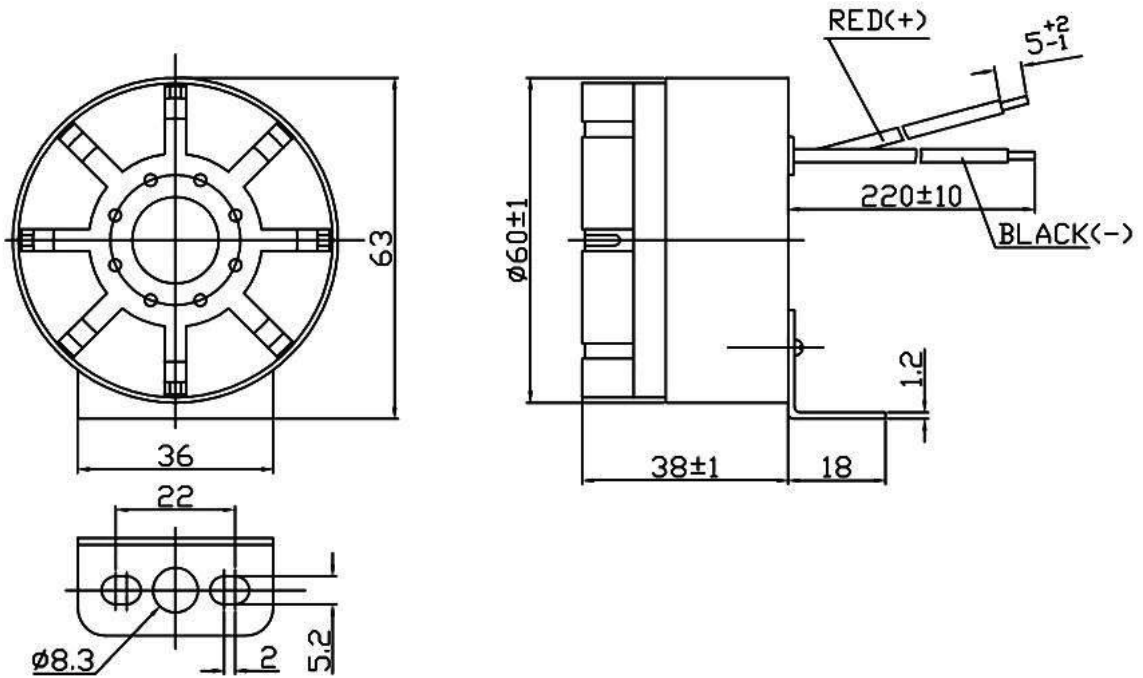
Rated voltage [V] 12/24
 Operating voltage [V] 8 - 30
 Resonance frequency [Hz] 1100 ± 20%
 SPL [dBA]: *[High 95dB (1m) / 73dB (7.5m)] / [Low 78dB (1m) / 55dB (7.5m)]* (95/78) ± 5
at rated voltage
 Current consumption [mA] ≤ 300
 Tone constant-pulse: pulse
 on-off cycles: 80 c/m

Remark:

red wire = plus; black wire = minus, the alarm starts with SPL High when red wire is connected with power. Cut the trigger voltage for ≤ 1.5s and connect the voltage again the SPL switch over to SPL Low. Cut the trigger voltage for ≥ 1.5 and then connect with voltage again, the SPL will be switched back to High SPL

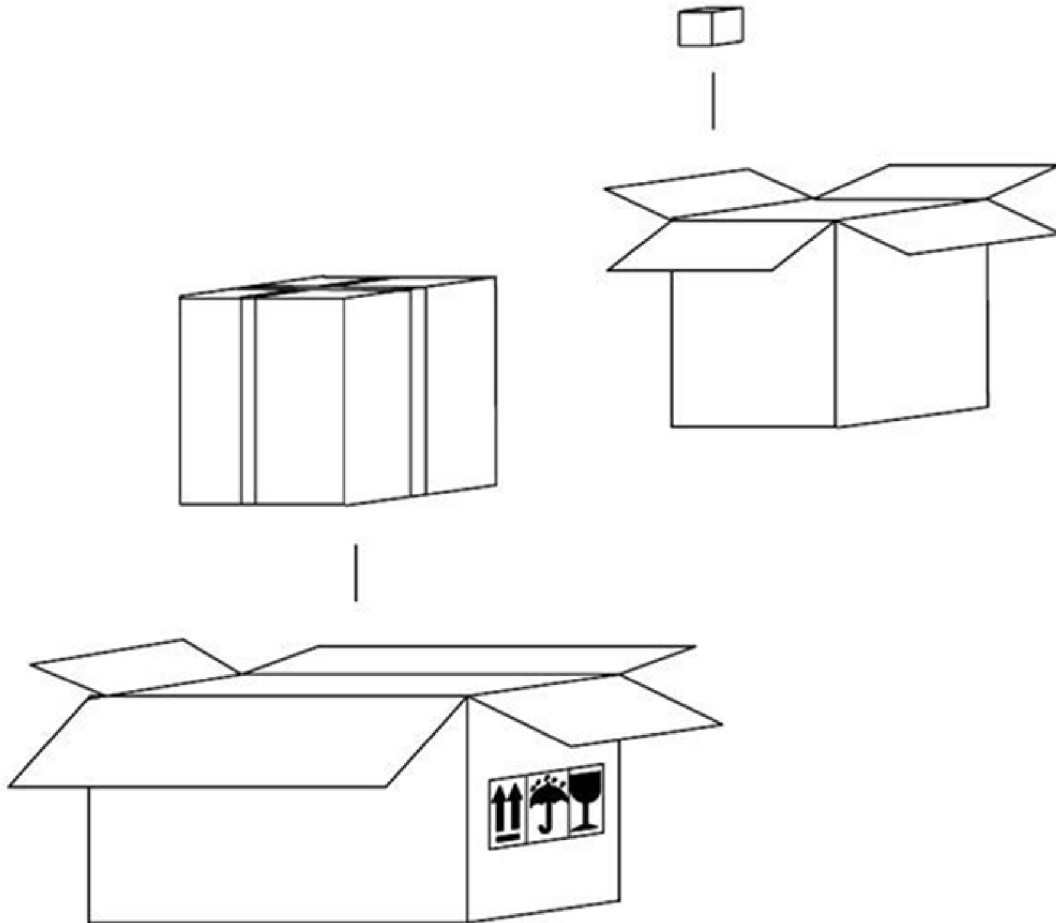
GREWUS		dimensions without tolerance: ISO2768-m	scale:	
Designed by: Ralf Hinnerichs	09.11.2007	part number: HU2SPLA	index:	Date:
Released by: Ralf Hinnerichs	09.11.2007		A	09.11.2007
drawing number: 393955297		Backup alarm		Page 1 of 3

3. Component drawing



GREWUS		dimensions without tolerance: ISO2768-m	scale:	
Designed by: Ralf Hinnerichs	09.11.2007	part number: HU2SPLA	index:	Date:
Released by: Ralf Hinnerichs	09.11.2007		A	09.11.2007
drawing number: 393955297		Backup alarm		Page 2 of 3

4. Packageing drawing



Carton

Size: 56 x 37 x 33.5 cm

Smalest unit:

Quantity: 200 / carton

quantity smalest unit:

Weight:

further packageing information: 100 / small carton

GREWUS		dimensions without tolerance: ISO2768-m	scale:	
Designed by: Ralf Hinnerichs	09.11.2007	part number: HU2SPLA	index:	Date:
Released by: Ralf Hinnerichs	09.11.2007		A	09.11.2007
drawing number: 393955297		Backup alarm		Page 3 of 3