

Component specification**Buzzer****BME2512P-01A**Index **A**

MBWOE

1. General

operating temperature:	-40°C to +85°C	component weight [g]:	8,5
storage temperature:	-40°C to +85°C		
contact:	PIN	housing color:	black
packageing:	tray	IP rating:	
ESD conform	<input checked="" type="checkbox"/>	RoHs conform:	
remark:	change to new packaging at 24.06.09, 1000 parts / box		

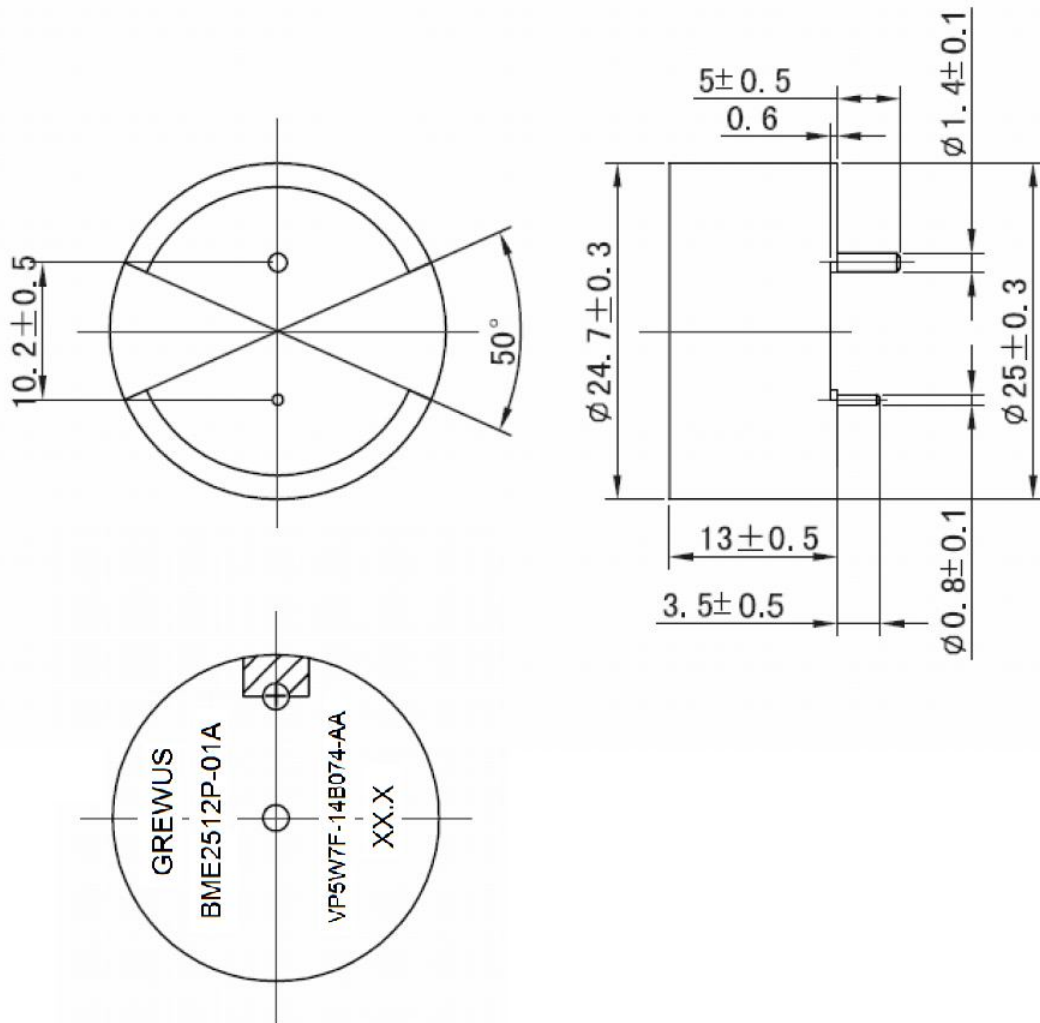
**2. Electrical and acoustical specification**

DC resistance		110 ± 16
Impedance [Ω]	1000Hz sine wave	140 ± 28
Resonance frequency [Hz]		740
Rated voltage [V]	<i>V_{op}</i>	12
Operating voltage [V]	<i>V_{op}</i>	8 - 16
SPL [dBA]:		see table below
Current consumption [mA]	740Hz, 12V _{op} , 15% duty cycle	≤ 40
Remark:	SPL 85 - 100dB (12V _{op} 40% duty cycle 740 Hz), SPL 84 - 94dB (12V _{op} 15% duty cycle 780Hz), 78 - 88dB (12V _{op} 50% duty cycle 1000Hz)	

Frequency curve

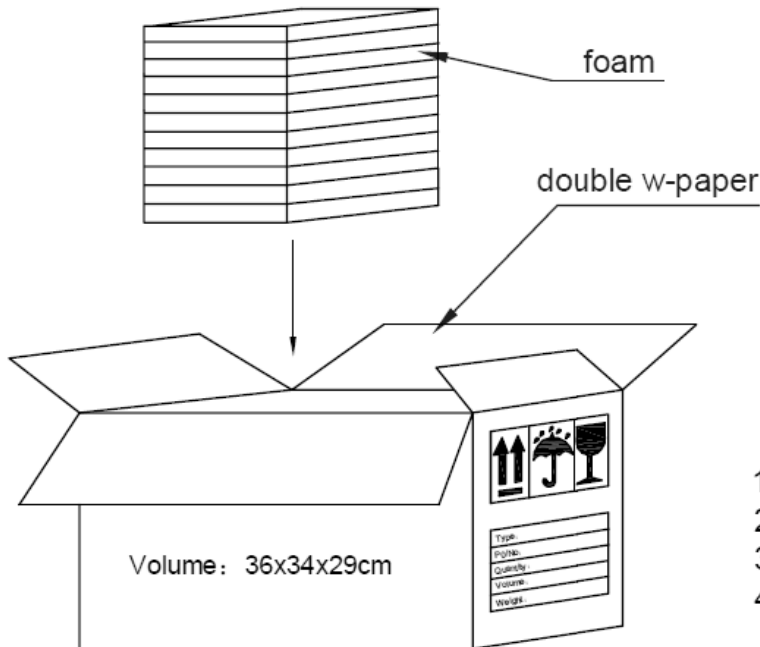
GREWUS		dimensions without tolerance:	± 0.3	scale:	
Designed by:	Ralf Hinnerichs	18.04.2008	part number: BME2512P-01A	index:	Date:
Released by:	Ralf Hinnerichs	21.04.2008		A	18.04.2008
drawing number: 395566961			Buzzer	Page 1 of 3	

3. Component drawing



GREWUS		dimensions without tolerance: ± 0.3	scale:	
Designed by: Ralf Hinnerichs	18.04.2008	part number: BME2512P-01A	index:	Date:
Released by: Ralf Hinnerichs	21.04.2008		A	18.04.2008
drawing number: 395566961		Buzzer		Page 2 of 3

4. Packageing drawing



- 1) 50pcs/tray
- 2) 20trays/carton
- 3) 1000pcs/carton in total
- 4) carton size 36x34x29cm

Carton

Size: 36 x 34 x 29 cm

Smalest unit: tray

Quantity: 1000

quantity smalest unit:

Weight:

further packageing information: 50 pieces / tray / 20 Trays per carton

GREWUS		dimensions without tolerance: ± 0.3	scale:	
Designed by: Ralf Hinnerichs	18.04.2008	part number: BME2512P-01A	index:	Date:
Released by: Ralf Hinnerichs	21.04.2008		A	18.04.2008
drawing number: 395566961		Buzzer	Page 3 of 3	