

1. General

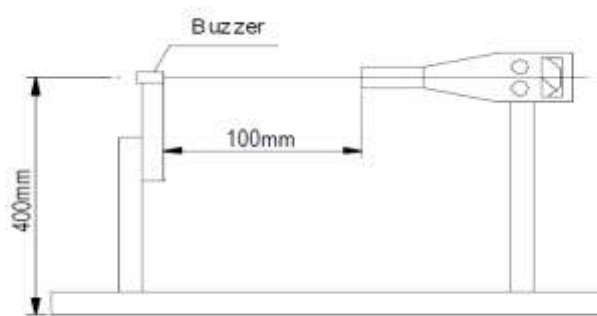
operating temperature:	-30°C to +85°C	component weight [g]:	7
storage temperature:	-40°C to +85°C	housing color:	black
contact:	PIN	IP rating:	
packageing:	tray	RoHs conform:	yes
ESD conform	<input checked="" type="checkbox"/>		
remark:	with label		



2. Electrical and acoustical specification

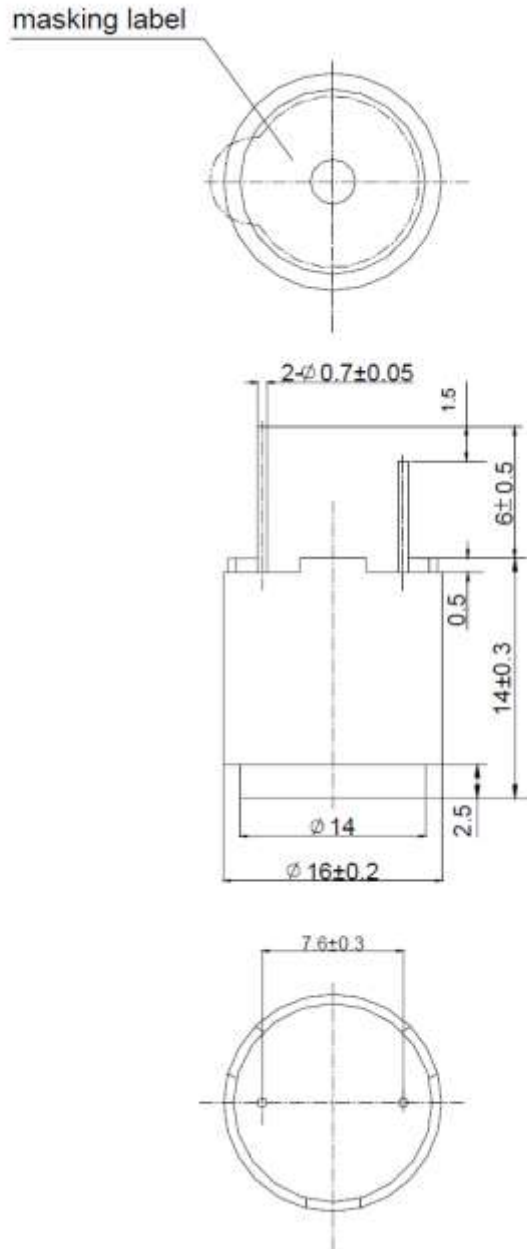
SPL [dBA]	<i>measured at 6V dc in 10 cm distance</i>	≥ 85
Resonant frequency [Hz]		2300
Rated voltage [V]	<i>V dc</i>	6
Operating voltage [V]		4 - 8
Current consumption [mA]	<i>measured at 6V dc</i>	≤ 30

Remark:



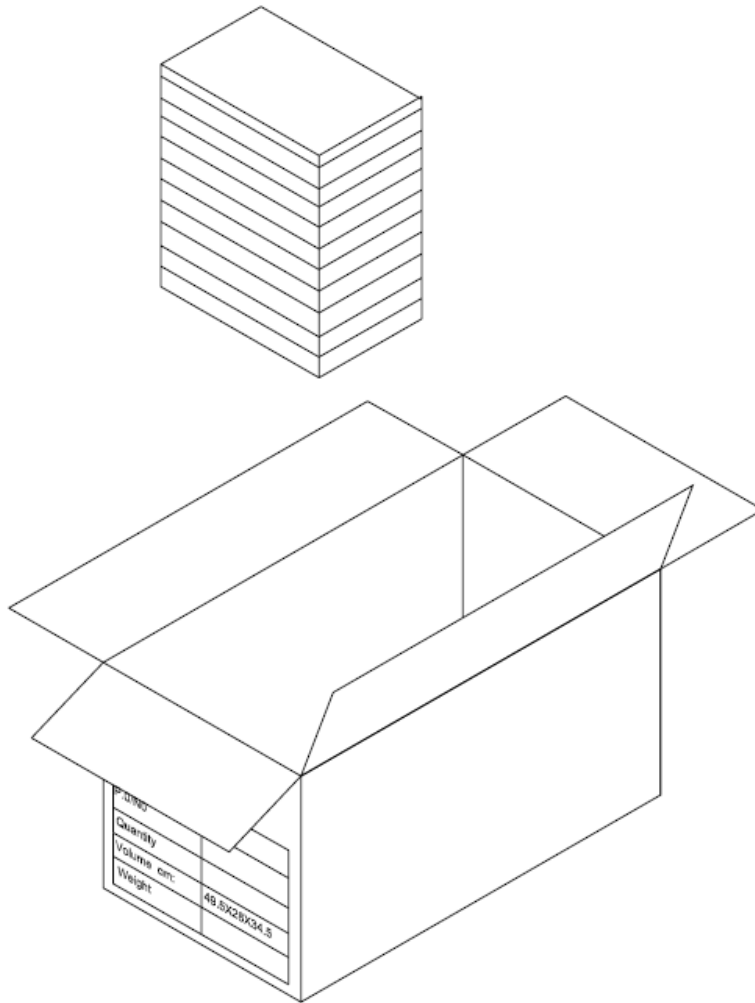
GREWUS		dimensions without tolerance:	±0.3	scale:	
Designed by:	Ralf Hinnerichs	14.08.2009	part number: BMI1606PWLA	index:	Date:
Released by:	Ralf Hinnerichs	14.08.2009		A	14.08.2009
drawing number: 402985641			Buzzer	Page 1 of	3

3. Component drawing



GREWUS		dimensions without tolerance:	± 0.3	scale:
Designed by:	Ralf Hinnerichs	14.08.2009	part number:	index:
Released by:	Ralf Hinnerichs	14.08.2009	BMI1606PWLA	Date:
drawing number: 402985641		Buzzer		14.08.2009
				Page 2 of 3

4. Packageing drawing



Carton

Size: 49.5x28x34.5cm

Smalest unit:

Quantity: 2000 / carton

quantity smalest unit:

Weight:

further packageing information: 50 pcs/tray, 40 trays/carton

GREWUS		dimensions without tolerance: ±0.3	scale:	
Designed by: Ralf Hinnerichs	14.08.2009	part number: BMI1606PWLA	index:	Date:
Released by: Ralf Hinnerichs	14.08.2009		A	14.08.2009
drawing number: 402985641		Buzzer	Page 3 of 3	