

Component specification

BME1305S-01A

Index **A**

Buzzer

MBW0E

1. General

operating temperature:	-40°C to +85°C	component weight [g]:	2
storage temperature:	-40°C to +85°C		
contact:	SMD	housing color:	black
packageing:	tor	IP rating:	
ESD conform	<input checked="" type="checkbox"/>	RoHs conform:	yes
remark:			



2. Electrical and acoustical specification

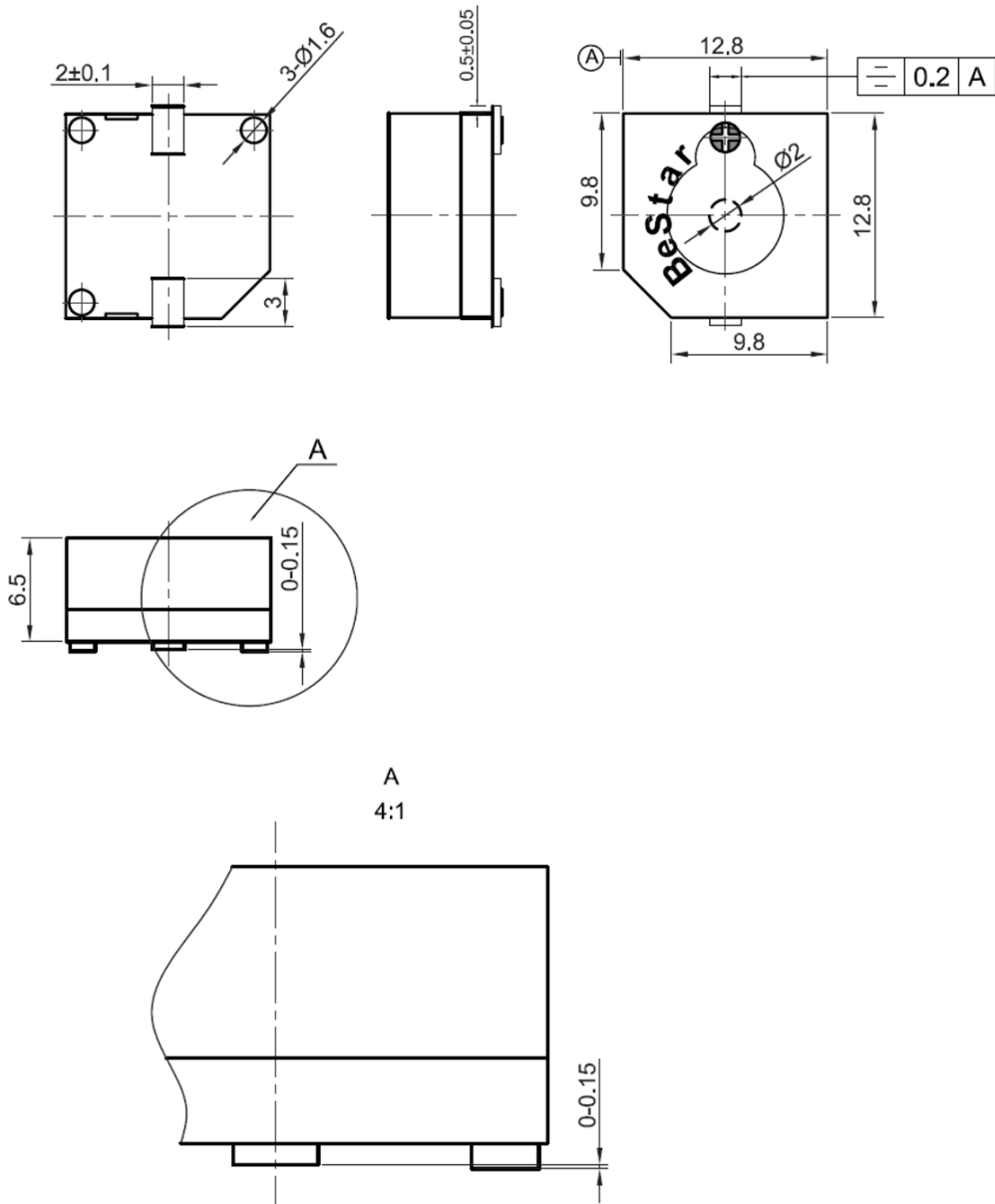
DC resistance [Ω]		45 \pm 5
coil impedance [Ω]	at 2400 Hz, I = 60 μ A, sine wave	80
Resonance frequency [Hz]		2400
Rated voltage [V]	V_{op}	5
Operating voltage [V]	V_{op}	4 - 7
SPL [dBA]:	in 10 cm distance at 5 V op, 2400 Hz, square wave 50% duty cycle	\geq 85
Current consumption [mA]	2400 Hz, 50% duty cycle, square wave	\leq 40

Remark:

Frequency curve

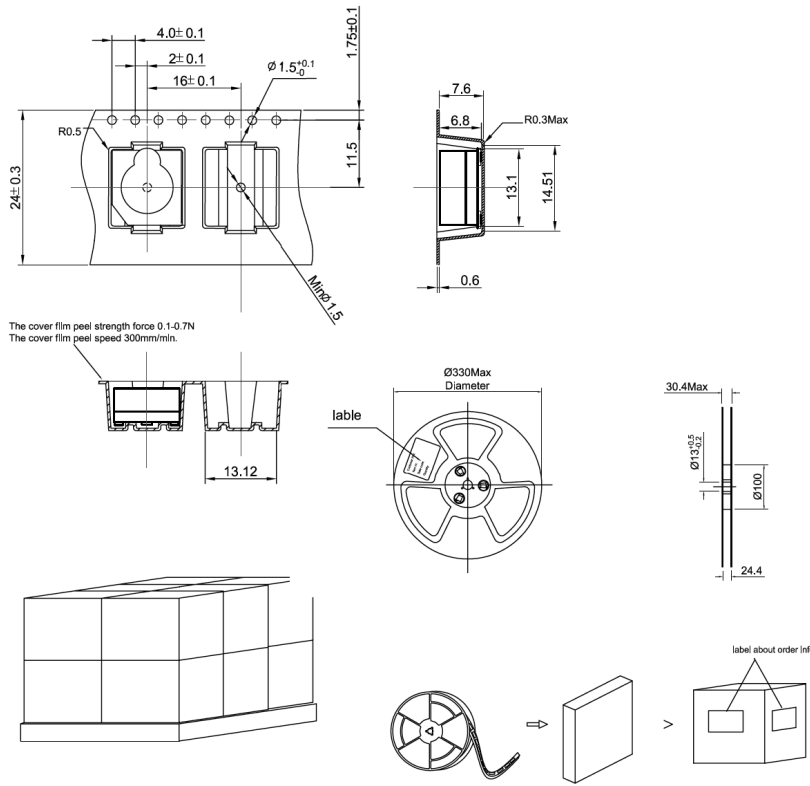
GREWUS		dimensions without tolerance: \pm 0.3	scale:	
Designed by: Ralf Hinnerichs	04.03.2009	part number: BME1305S-01A	index:	Date:
Released by: Ralf Hinnerichs	04.03.2009		A	04.03.2009
drawing number: 398765016		Buzzer	Page 1 of 3	

3. Component drawing



GREWUS		dimensions without tolerance: ± 0.3	scale:	
Designed by: Ralf Hinnerichs	04.03.2009	part number: BME1305S-01A	index:	Date:
Released by: Ralf Hinnerichs	04.03.2009		A	04.03.2009
drawing number: 398765016		Buzzer		Page 2 of 3

4. Packageing drawing



Carton

Size: 38 x 28 x 37 cm

Smalest unit:

Quantity: 2500

quantity smalest unit:

Weight:

further packageing information: 500 pcs / reel, 5 reels / box

GREWUS		dimensions without tolerance: ± 0.3	scale:	
Designed by: Ralf Hinnerichs	04.03.2009	part number: BME1305S-01A	index:	Date:
Released by: Ralf Hinnerichs	04.03.2009		A	04.03.2009
drawing number: 398765016		Buzzer		Page 3 of 3