

# Component specification

**BME8503S-01A**

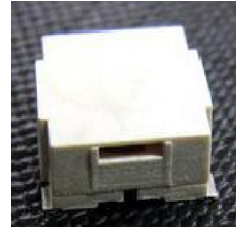
Index **A**

**Buzzer**

MBWOE

## 1. General

operating temperature:	-40°C to +85°C	component weight [g]:	1
storage temperature:	-40°C to +85°C		
contact:	SMD	housing color:	white
packageing:	tor	IP rating:	n.a.
ESD conform	<input checked="" type="checkbox"/>	RoHs conform:	yes
remark:	housing material LCP, Pins: base material brass, barrier layer nickel 2 µm , surface layer tin 5-9µm.		

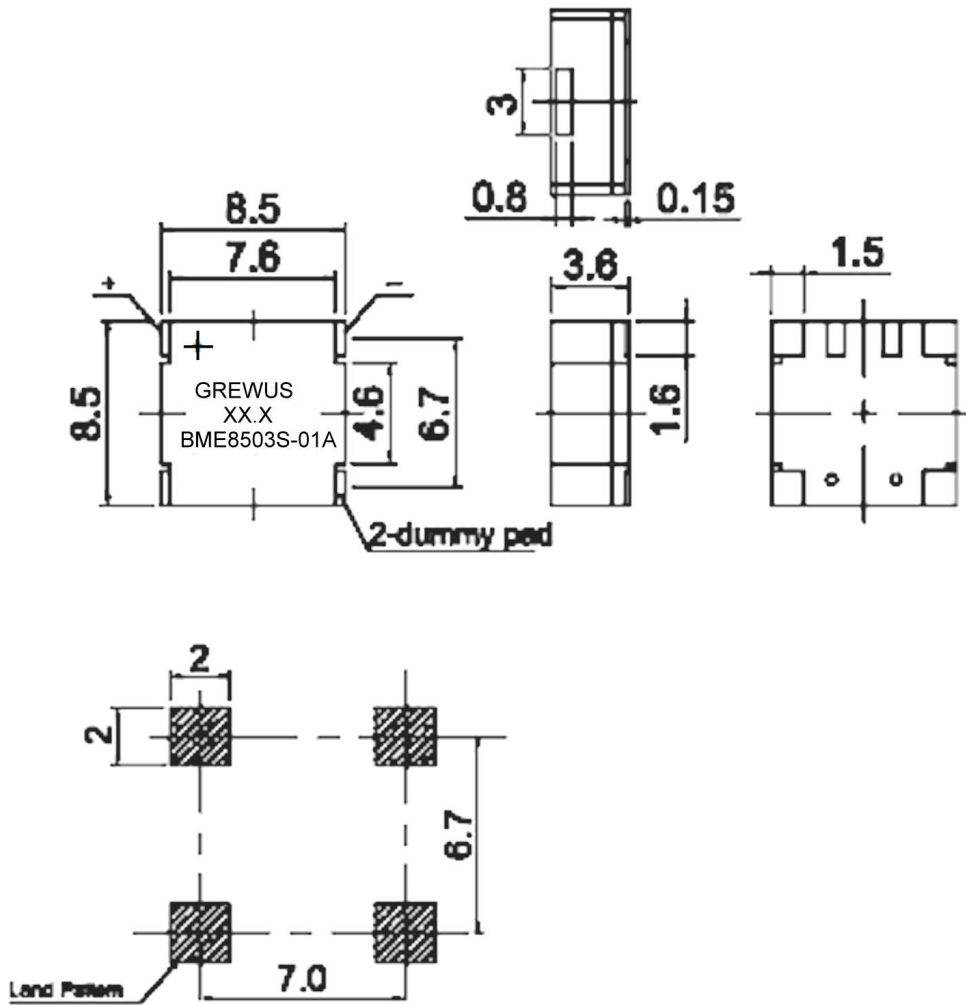


## 2. Electrical and acoustical specification

DC resistance [Ω]		18 ± 3
Resonance frequency [Hz]		2730
Rated voltage [V]	<i>V<sub>op</sub></i>	3
Operating voltage [V]	<i>V<sub>op</sub></i>	2 - 5
SPL [dBA]:	<i>in 10 cm distance, 2730 Hz, 3 V<sub>op</sub>, 50% duty cycle, square wave</i>	≥ 85
Current consumption [mA]	<i>2730 Hz, 3 V<sub>op</sub>, 50% duty cycle, square wave</i>	≤ 80
Remark:		
Frequency curve		

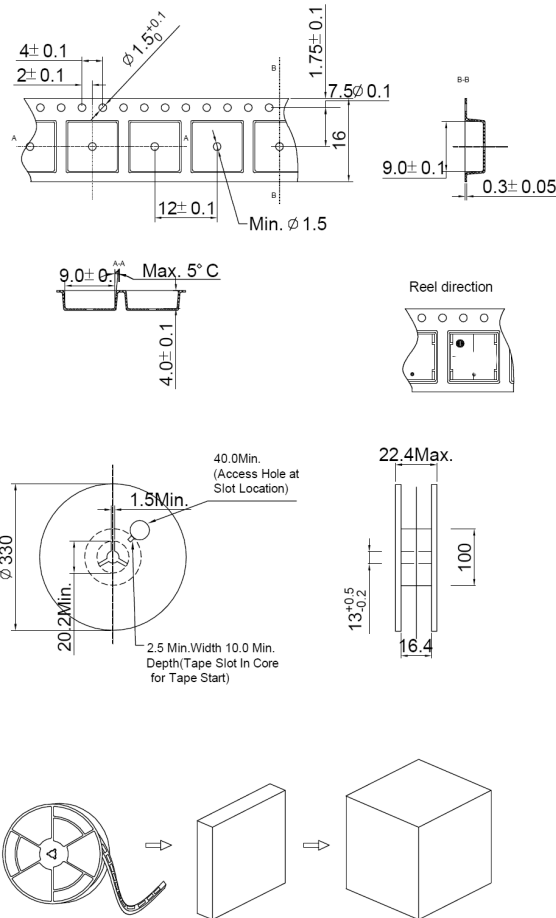
<b>GREWUS</b>		dimensions without tolerance: ± 0.2	scale:	
Designed by: Ralf Hinnerichs	18.09.2008	part number: <b>BME8503S-01A</b>	index:	Date:
Released by: Ralf Hinnerichs	18.09.2008		<b>A</b>	18.09.2008
drawing number: <b>397096495</b>		<b>Buzzer</b>	Page 1 of 3	

3. Component drawing



<b>GREWUS</b>		dimensions without tolerance: ± 0.2	scale:	
Designed by: Ralf Hinnerichs	18.09.2008	part number: <b>BME8503S-01A</b>	index:	Date:
Released by: Ralf Hinnerichs	18.09.2008		<b>A</b>	18.09.2008
drawing number: <b>397096495</b>		<b>Buzzer</b>		Page 2 of 3

4. Packageing drawing



Carton

Size: 38x28x37cm

Smallest unit:

Quantity: 5reels/carton (5000 pieces/carton)

quantity smallest unit: 1000pcs/reel

Weight:

further packageing information: 12 cartons/tray - tray size 85x77x74cm

<b>GREWUS</b>		dimensions without tolerance: $\pm 0.2$	scale:	
Designed by: Ralf Hinnerichs	18.09.2008	part number:	index:	Date:
Released by: Ralf Hinnerichs	18.09.2008	<b>BME8503S-01A</b>	<b>A</b>	18.09.2008
drawing number: <b>397096495</b>		<b>Buzzer</b>		Page 3 of 3