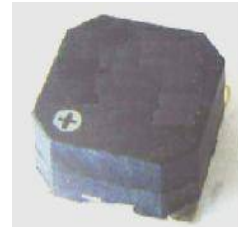


1. General

operating temperature:	-40°C to +85°C	component weight [g]:	1
storage temperature:	-40°C to +85°C	packageing:	tor
contact:	SMD		
housing color:	black	IP rating:	n.a.
		RoHs conform:	yes
remark:	Soldering profile acc. JEDEC 20D, co-planarity of the soldering pad max. 100µm		
ESD conform	<input checked="" type="checkbox"/>		



2. Electrical and acoustical specification

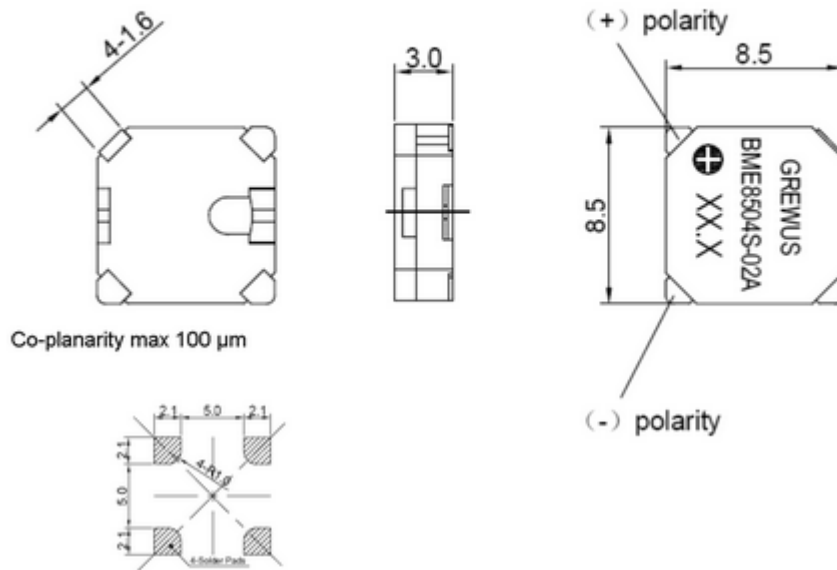
DC resistance [Ω]		15 ± 3
Resonance frequency [Hz]		2731
Rated voltage [V]	<i>V_{op}</i>	3.6
Operating voltage [V]	<i>V_{op}</i>	2 - 4
SPL [dBA]:	<i>in 10 cm distance, 2731 Hz, 3.6 V_{op}, 50% duty cycle, square wave</i>	≥ 87
Current consumption [mA]	<i>2731 Hz, 3.6 V_{op}, 50% duty cycle, square wave</i>	≤ 100

Remark:

Frequency curve

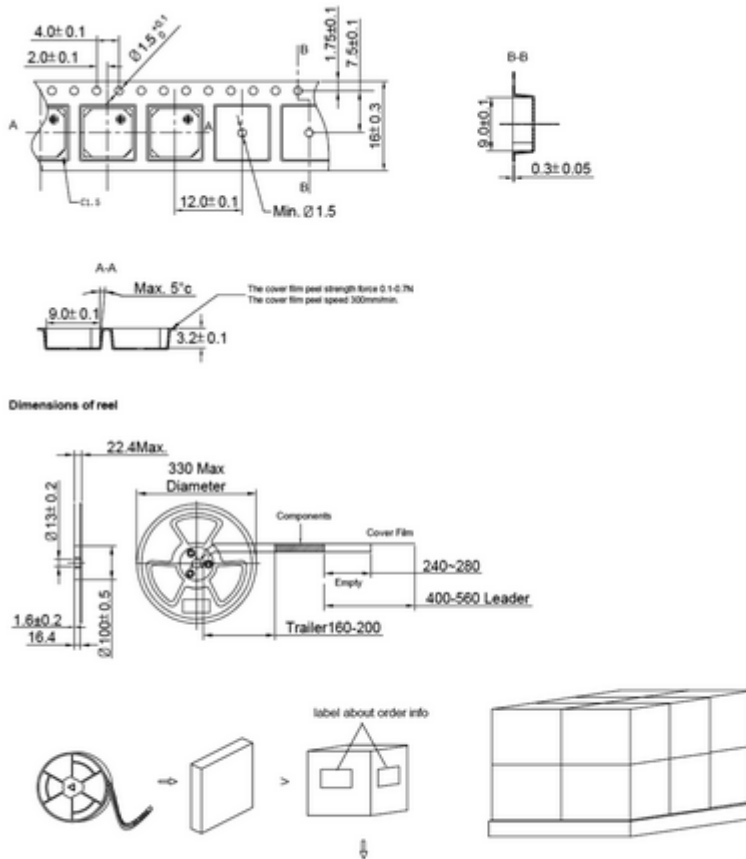
GREWUS		dimensions without tolerance: ± 0.2	scale:	
Designed by: Ralf Hinnerichs	19.12.2008	part number: BME8504S-02A	index:	Date:
Released by: Ralf Hinnerichs	19.12.2008		A	08.03.2010
drawing number: 398014849		Buzzer	Page 1 of 3	

3. Component drawing



GREWUS		dimensions without tolerance: ± 0.2	scale:	
Designed by: Ralf Hinnerichs	19.12.2008	part number: BME8504S-02A	index:	Date:
Released by: Ralf Hinnerichs	19.12.2008		A	08.03.2010
drawing number: 398014849		Buzzer	Page 2 of 3	

4. Packaging drawing



Carton

Size: 38 x 28 x 37 cm

Smallest unit:

Quantity: 5000 pcs /b carton

quantity smallest unit: 1000 pcs / reel

Weight:

further packageing information: 5 reels / carton / 12 cartons / tray

GREWUS		dimensions without tolerance: ± 0.2	scale:	
Designed by: Ralf Hinnerichs	19.12.2008	part number: BME8504S-02A	index:	Date:
Released by: Ralf Hinnerichs	19.12.2008		A	08.03.2010
drawing number: 398014849		Buzzer		Page 3 of 3