

Component specification

BME8504SA

Index **A**

Buzzer

MBW0E

1. General

operating temperature:	-30°C to +70°C	component weight [g]:	0,42
storage temperature:	-40°C to +85°C		
contact:	SMD	housing color:	black
packaging:	tor	IP rating:	
ESD conform	<input checked="" type="checkbox"/>	RoHs conform:	yes
remark:	Housing material LCP		

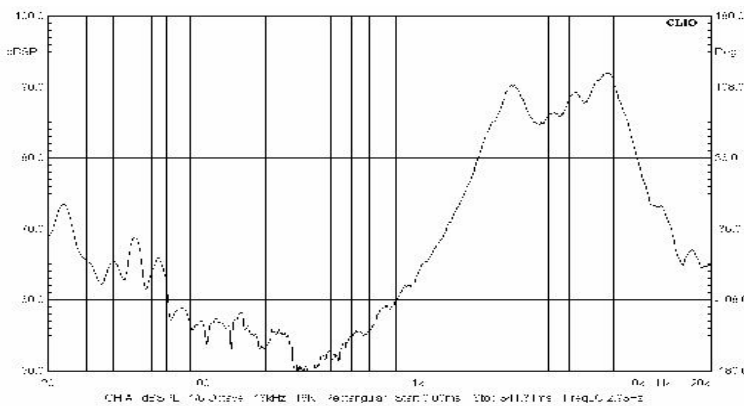


2. Electrical and acoustical specification

DC resistance		15 ± 3
Resonance frequency [Hz]		2700
Rated voltage [V]	<i>V_{op}</i>	3.6
Operating voltage [V]	<i>V_{op}</i>	2.5 - 4.5
SPL [dBA]:	<i>in 10 cm, value applying rated voltage (2200-3200Hz, 3.6Vo-p, 1/2 duty, square wave)</i>	≥ 85
Current consumption [mA]	<i>value applying rated voltage (2700Hz, 3.6Vo-p, 1/2 duty, square wave)</i>	≤ 90

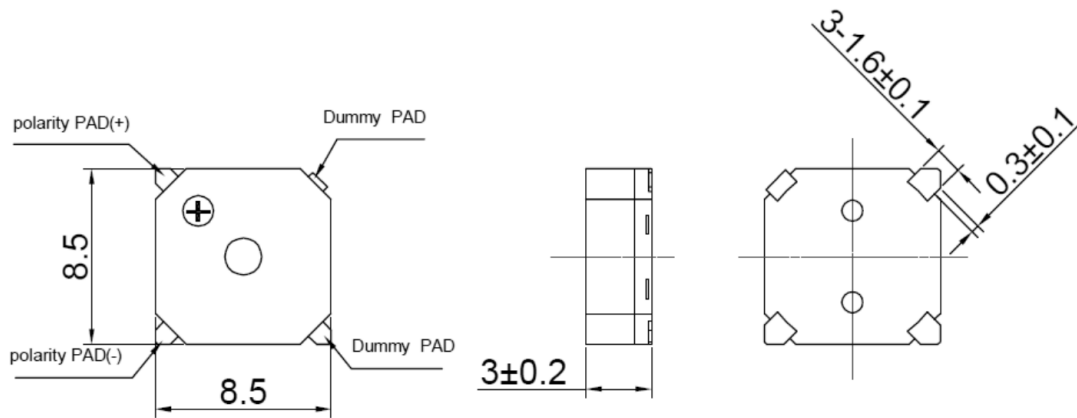
Remark:

Frequency curve

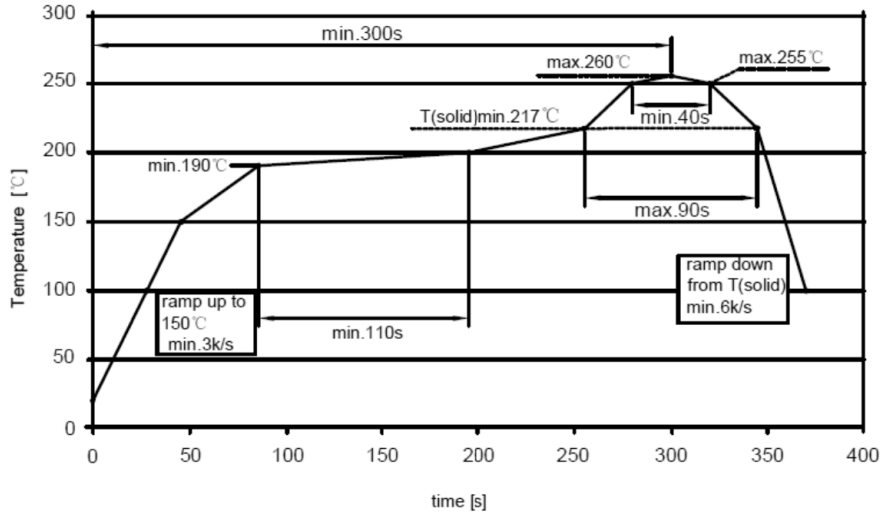


GREWUS		dimensions without tolerance:	± 0.3	scale:
Designed by:	Ralf Hinnerichs	11.03.2009	part number:	index: Date:
Released by:	Ralf Hinnerichs	11.03.2009	BME8504SA	A 11.03.2009
drawing number: 398836506			Buzzer	Page 1 of 3

3. Component drawing

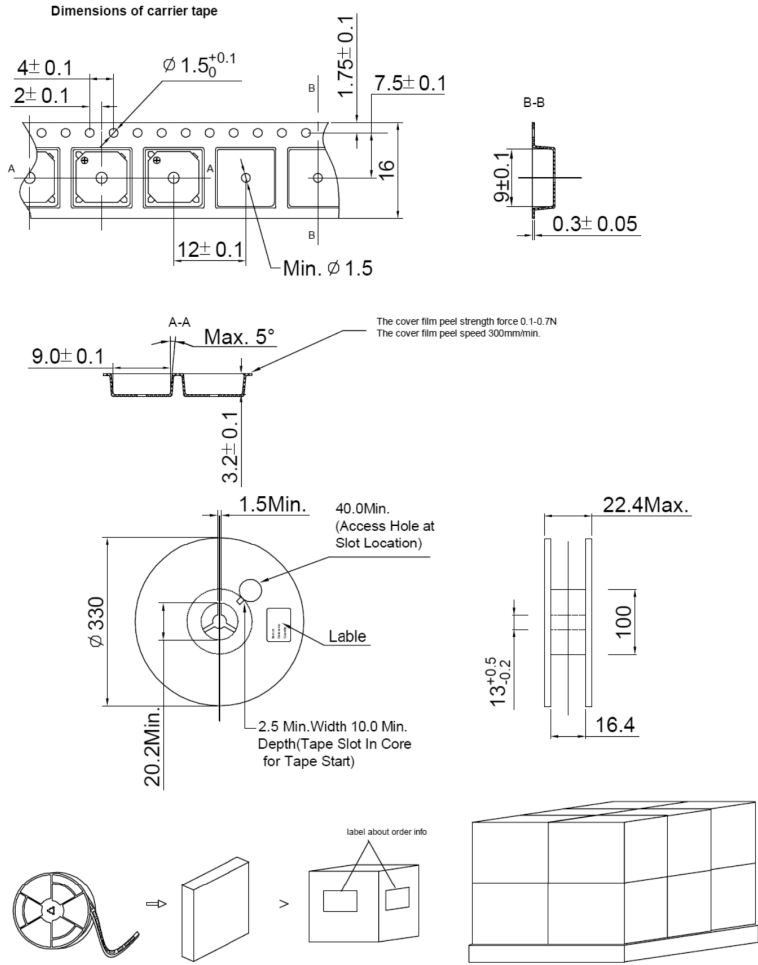


Temperature profile for a lead-free reflow process



GREWUS		dimensions without tolerance: ± 0.3	scale:	
Designed by: Ralf Hinnerichs	11.03.2009	part number:	index:	Date:
Released by: Ralf Hinnerichs	11.03.2009	BME8504SA	A	11.03.2009
drawing number: 398836506		Buzzer		Page 2 of 3

4. Packaging drawing



Carton

Size: 38 x 28 x 37 cm

Smalest unit: reel

Quantity: 5000

quantity smalest unit:

Weight:

further packaging information: 1000 pcs / reel, 5 reels / carton

GREWUS		dimensions without tolerance: ± 0.3	scale:	
Designed by: Ralf Hinnerichs	11.03.2009	part number:	index:	Date:
Released by: Ralf Hinnerichs	11.03.2009	BME8504SA	A	11.03.2009
drawing number: 398836506		Buzzer		Page 3 of 3