

1. General

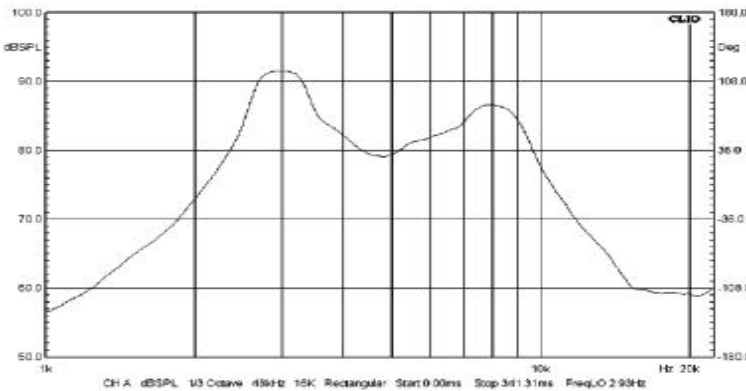
operating temperature:	-40°C to +85°C	component weight [g]:	0,6
storage temperature:	-40°C to +85°C		
contact:	SMD	housing color:	black
packaging:	tor	IP rating:	n.a.
ESD conform	<input checked="" type="checkbox"/>	RoHs conform:	yes
remark:			



2. Electrical and acoustical specification

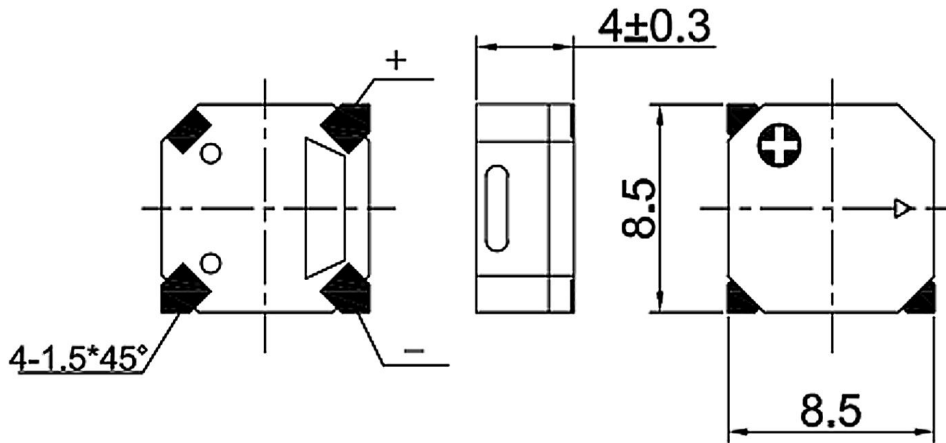
DC resistance [Ω]		32 ± 5
Resonance frequency [Hz]		2730
Rated voltage [V]	<i>V_{op}</i>	5
Operating voltage [V]	<i>V_{op}</i>	4 - 7
SPL [dBA]:	<i>in 10 cm distance, 2730 Hz, 5 V_{op}, 50% duty cycle, square wave</i>	≥ 87
Current consumption [mA]	<i>2730 Hz, 5 V_{op}, 50% duty cycle, square wave</i>	≤ 70
Remark:		

Frequency curve



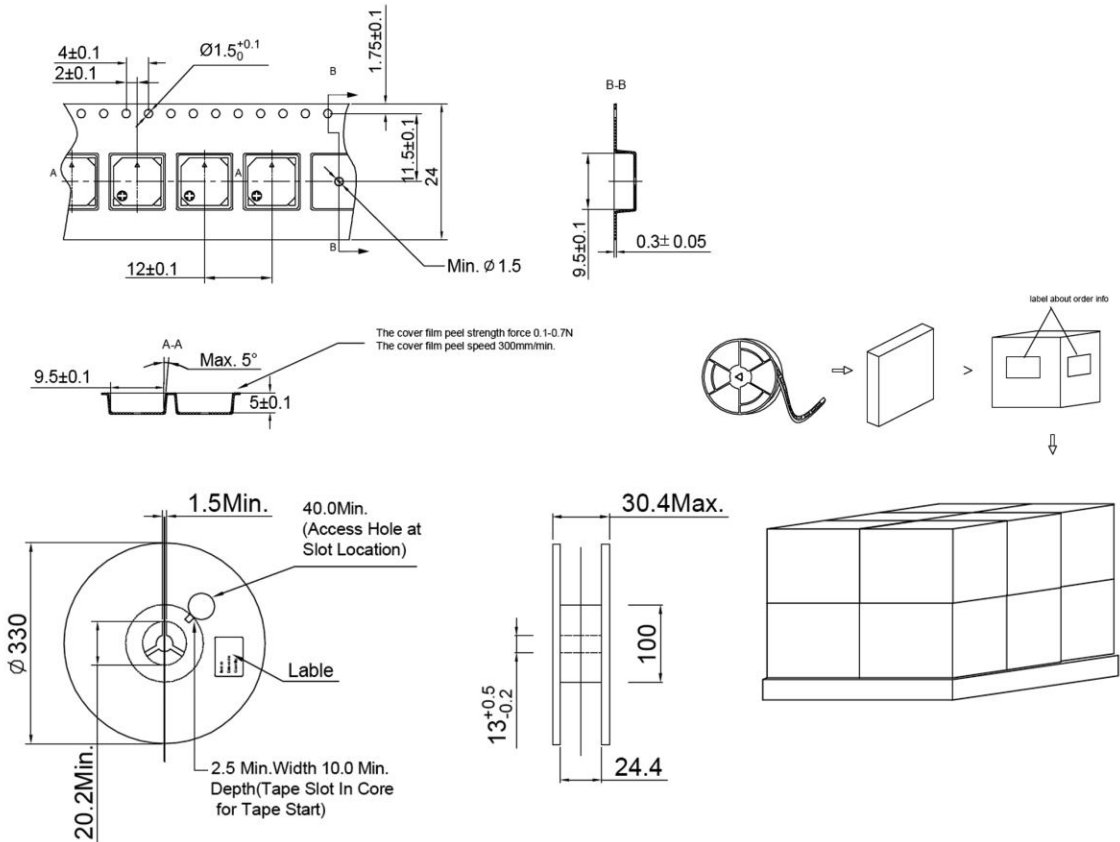
GREWUS		dimensions without tolerance:	± 0.2	scale:
Designed by:	Ralf Hinnerichs	26.03.2008	part number:	index: Date:
Released by:	Ralf Hinnerichs	26.03.2008	BME8505SA	A 26.03.2008
drawing number: 395337033			Buzzer	Page 1 of 3

3. Component drawing



GREWUS		dimensions without tolerance: ± 0.2	scale:	
Designed by: Ralf Hinnerichs	26.03.2008	part number: BME8505SA	index:	Date:
Released by: Ralf Hinnerichs	26.03.2008		A	26.03.2008
drawing number: 395337033		Buzzer		Page 2 of 3

4. Packageing drawing



Carton

Size: 38x28x37cm

Smallest unit:

Quantity: 5reels/carton (5000 pie

quantity smallest unit: 1000pcs/reel

Weight:

further packageing information: 12 cartons/tray - tray size 85x77x74cm

GREWUS		dimensions without tolerance: ± 0.2	scale:	
Designed by: Ralf Hinnerichs	26.03.2008	part number: BME8505SA	index:	Date:
Released by: Ralf Hinnerichs	26.03.2008		A	26.03.2008
drawing number: 395337033		Buzzer		Page 3 of 3