

1. General

operating temperature: -25°C to +70°C component weight [g]: 40
 storage temperature: -25°C to +80°C
 contact: Terminal housing color: RAL9010 white
 packaging: box IP rating: 65
 ESD conform
 remark: Piezo disc stainless steel
 RoHs conform: yes

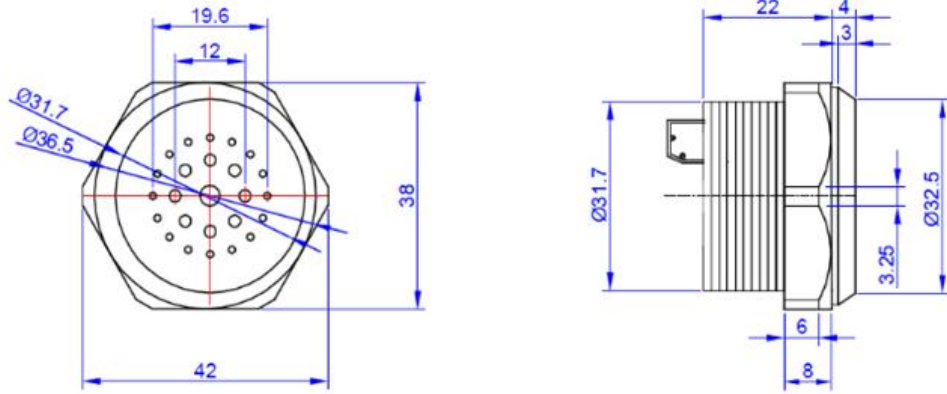


2. Electrical and acoustical specification

Rated voltage [Vdc] 110
 Operating voltage [Vdc] 88 - 132
 Frequency [Hz] 3000 ± 500
 SPL [dBA]: *at rated voltage in 1m distance* > 82
 Current consumption [mA] *at rated voltage* ≤ 6.5
 Tone constant-pulse: constant
 on-off cycles:
 Remark:
 connection see drawing

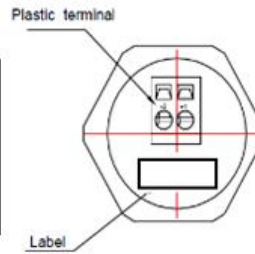
GREWUS		dimensions without tolerance: ±0.3mm	scale:	
Designed by: Ralf Hinnerichs	18.08.2009	part number: HB110CA	index:	Last update:
Released by: Ralf Hinnerichs	18.08.2009		A	16.06.2010
drawing number: 400525996		Backup alarm		Page 1 of 3

3. Component drawing



LITZE 

Art. Nr. 716108
 XX.XX
 Rev E01

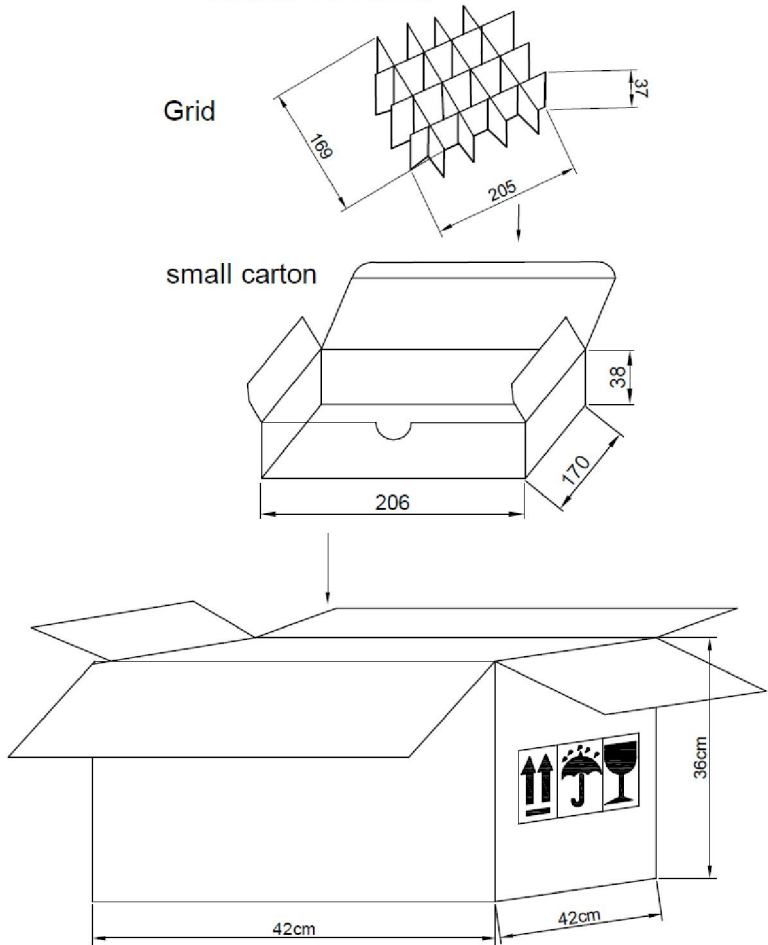


Date Code = XX.XX
 ↗ ↖
 Month Year

GREWUS		dimensions without tolerance: ±0.3mm	scale:	
Designed by: Ralf Hinnerichs	18.08.2009	part number: HB110CA	index: A	Last update: 16.06.2010
Released by: Ralf Hinnerichs	18.08.2009			
drawing number: 400525996		Backup alarm		Page 2 of 3

4. Packageing drawing

Packing Quantity :20pcs per box
 800pcs per carton
 carton size 42x42x36cm,



Carton

Size: 42 x 42 x 36cm

Smalest unit:

Quantity: 20

quantity smalest unit:

Weight:

further packageing information: 20 pcs box / 800 pcs carton

GREWUS		dimensions without tolerance: ±0.3mm	scale:	
Designed by: Ralf Hinnerichs	18.08.2009	part number: HB110CA	index:	Last update:
Released by: Ralf Hinnerichs	18.08.2009		A	16.06.2010
drawing number: 400525996		Backup alarm		Page 3 of 3