

1. General

operating temperature: -20°C to +65°C component weight [g]: 25
 storage temperature: -30°C to +75°C
 contact: Faston housing color: black
 packageing: box IP rating: 65
 ESD conform
 remark: Constant tone, Pulse tone
 RoHs conform: yes



2. Electrical and acoustical specification

Rated voltage [V] 12
 Operating voltage [V] 5 - 28
 Resonance frequency [Hz] 3000 ± 500
 SPL [dBA]: 1m distance / 12V 85 ± 3

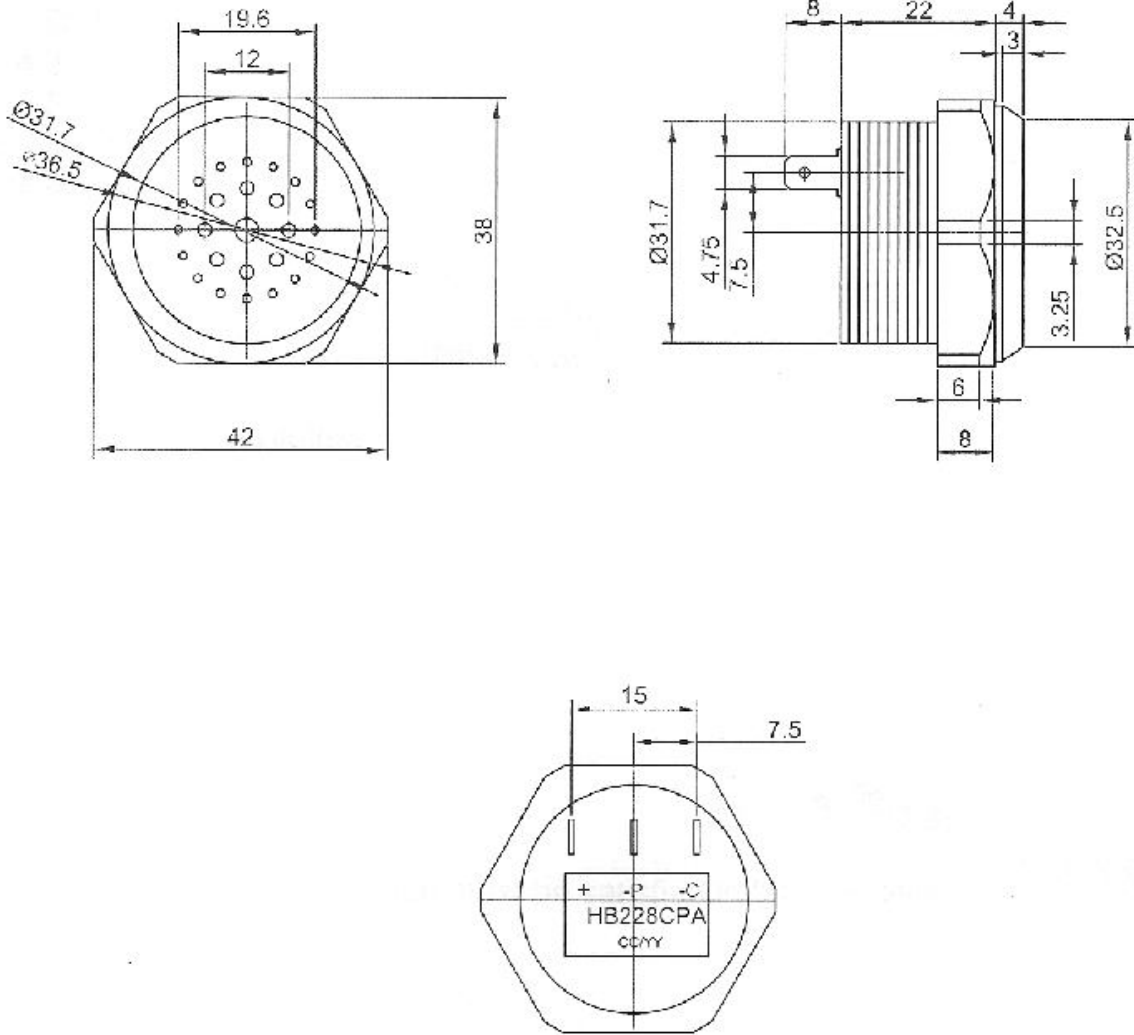
 Current consumption [mA] < 18
 Tone constant-pulse: Constant/pulse
 on-off cycles: 100 ± 20 c/m

Remark:

Pin + = (+); Pin -P = (-) for pulse, Pin -C = (-) for constant,

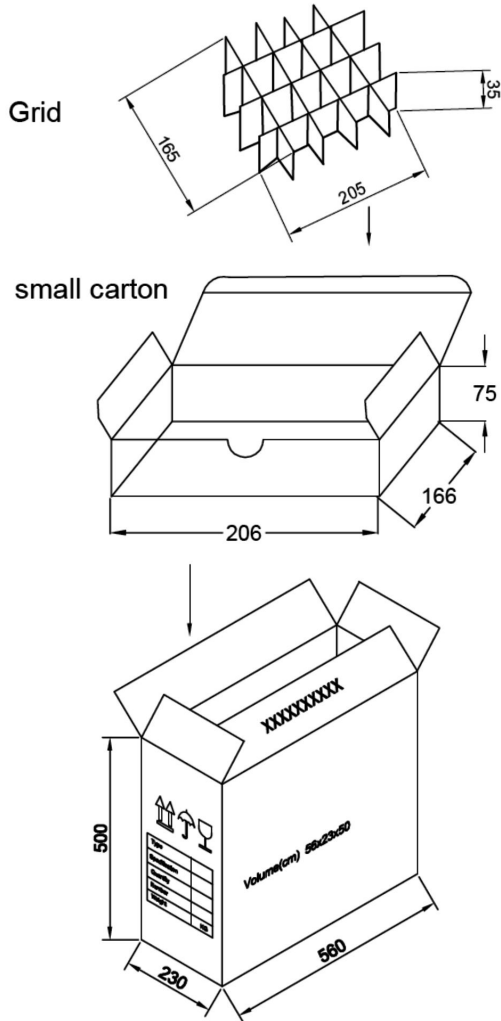
GREWUS		dimensions without tolerance: ± 0.3	scale:	
Designed by: Ralf Hinnerichs	28.07.2010	part number: HB228CPA	index:	Last update:
Released by: Ralf Hinnerichs	28.07.2010		A	28.07.2010
drawing number: 403874878		Backup alarm		Page 1 of 3

3. Component drawing



GREWUS		dimensions without tolerance:	± 0.3	scale:
Designed by:	Ralf Hinnerichs	28.07.2010	part number:	index:
Released by:	Ralf Hinnerichs	28.07.2010	HB228CPA	Last update:
drawing number: 403874878		Backup alarm		Page 2 of 3

4. Packageing drawing



Carton

Size: carton size 56x23x50c

Smalest unit:

Quantity: 1000

quantity smalest unit: 40 per small carton

Weight:

further packageing information:

GREWUS		dimensions without tolerance: ± 0.3	scale:	
Designed by: Ralf Hinnerichs	28.07.2010	part number: HB228CPA	index:	Last update:
Released by: Ralf Hinnerichs	28.07.2010		A	28.07.2010
drawing number: 403874878		Backup alarm		Page 3 of 3