

1. General

operating temperature: -20°C to +70°C component weight [g]: 50
 storage temperature: -20°C to +70°C
 contact: Terminal housing color: black
 packageing: box IP rating: 65
 ESD conform
 remark: two different tabs, Plus=6.3mm, Minus=4.8mm, diode
 between the plus and minus pin
 RoHs conform: yes

2. Electrical and acoustical specification

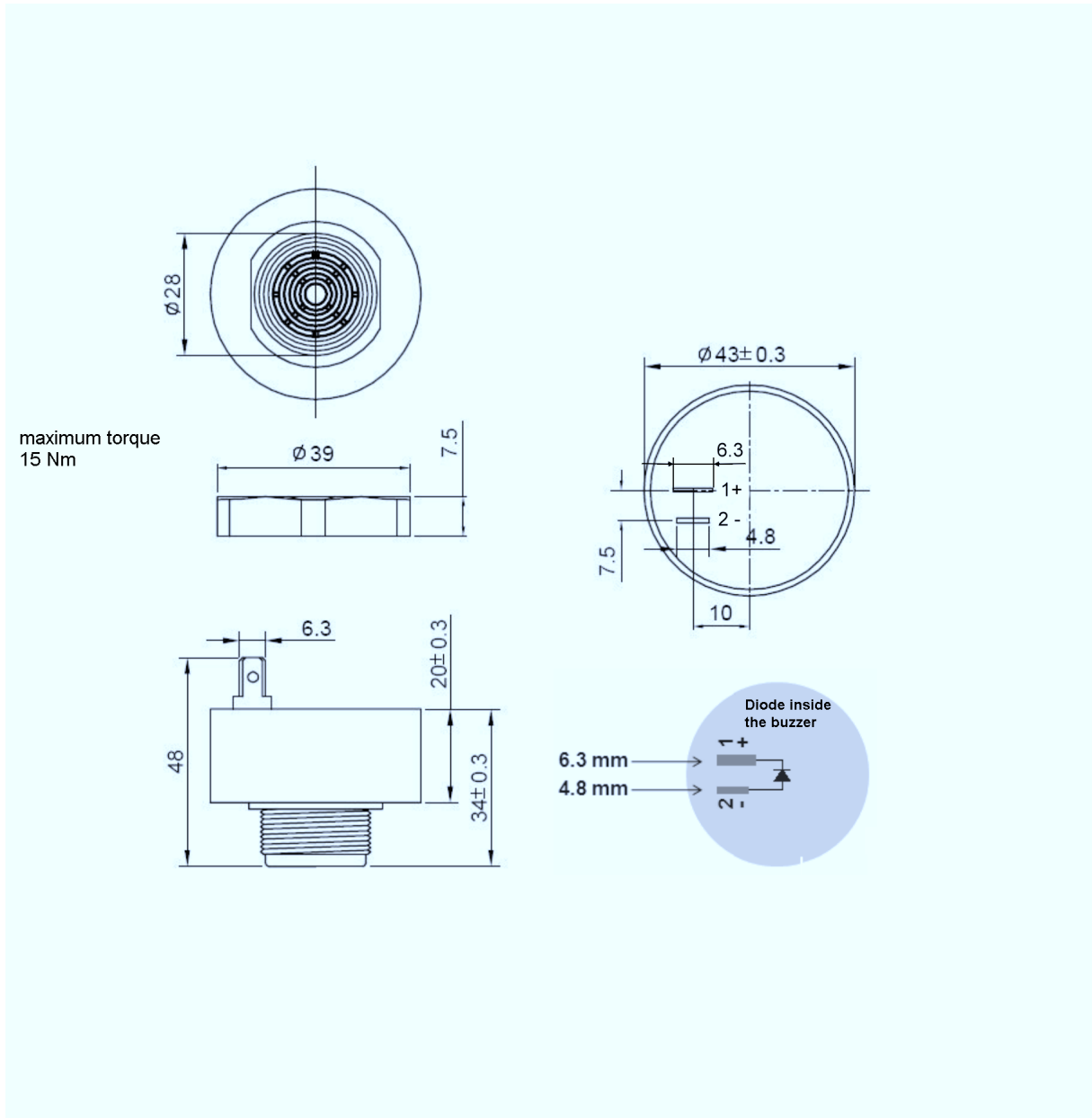
Rated voltage [Vdc] 36
 Operating voltage [Vdc] 12 - 50
 Frequency [Hz] 3000 ± 500
 SPL [dBA]: *at rated voltage in 1m distance* 95 ± 3
 Current consumption [mA] *maximum current* ≤ 20
 Tone constant-pulse: constant
 on-off cycles: n.a.

Remark:

connection see drawing

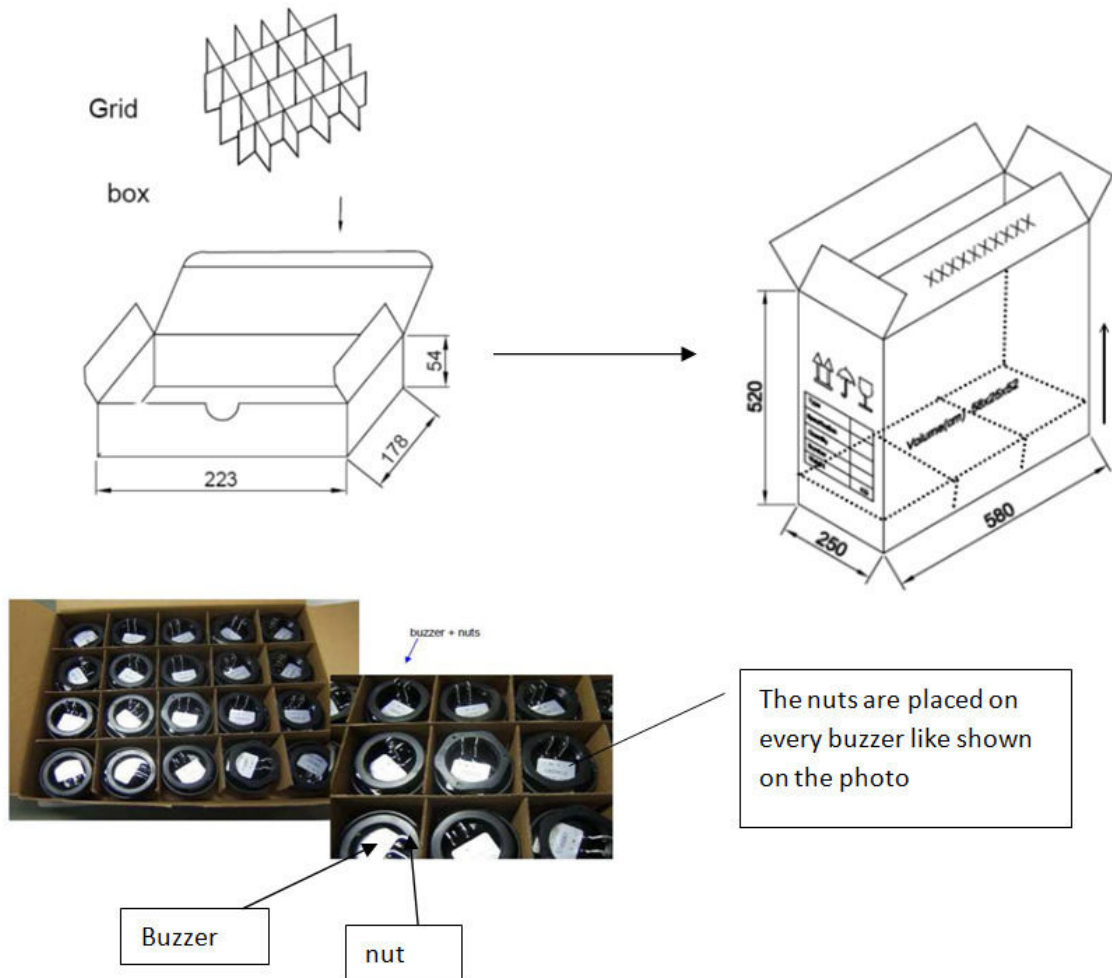
GREWUS		dimensions without tolerance: ±0.3mm	scale:	
Designed by: Ralf Hinnerichs	30.10.2008	part number: HB50C-01B	index:	Last update:
Released by: Ralf Hinnerichs	24.02.2009		B	18.10.2010
drawing number: 398684464		Backup alarm		Page 1 of 3

3. Component drawing



GREWUS		dimensions without tolerance: ±0.3mm	scale:	
Designed by: Ralf Hinnerichs	30.10.2008	part number: HB50C-01B	index:	Last update:
Released by: Ralf Hinnerichs	24.02.2009		B	18.10.2010
drawing number: 398684464		Backup alarm		Page 2 of 3

4. Packageing drawing



Carton

Size: 56x23x49,5cm

Smalest unit:

Quantity: 500

quantity smalest unit: 20 pcs per small box

Weight:

further packageing information: 3 boxes in one layer, 9 layers in one carton, the tp layer only have 1 box

GREWUS		dimensions without tolerance: ±0.3mm	scale:	
Designed by: Ralf Hinnerichs	30.10.2008	part number: HB50C-01B	index:	Last update:
Released by: Ralf Hinnerichs	24.02.2009		B	18.10.2010
drawing number: 398684464		Backup alarm		Page 3 of 3