

1. General

Operating temperature:	-40°C to +90°C	Component weight [g]:	11
Storage temperature:	-40°C to +90°C		
Contact:	PIN	Housing color:	black
Packageing:	tray	IP rating:	
ESD conform	<input type="checkbox"/>	RoHs conform:	yes
Remark:	loudspeaker with fixing clips		



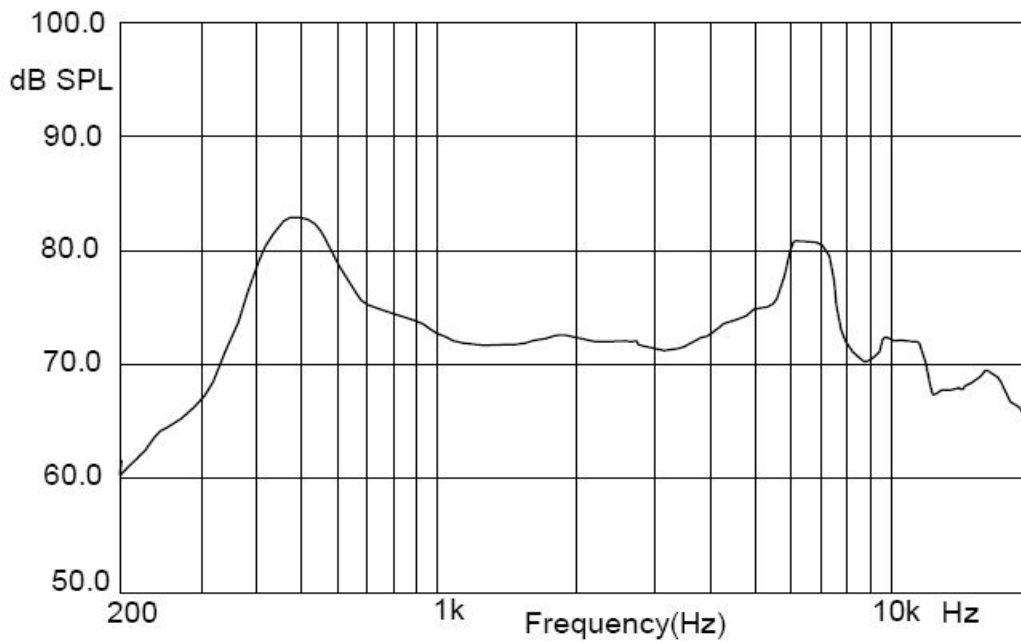
2. Electrical and acoustical specification

Coil resistance [Ω]		29 \pm 10%
Impedance [Ω]	1000Hz	32 \pm 15%
Resonance frequency [Hz]		400 \pm 15%
Frequency range [Hz]		400 - 17000
SPL [dB]:	0.1W/1m/1KHz	72 \pm 2
Rated input power [W]		0,3
Maximum input power [W]		0,5
Buzz and rattle		must be normal at sine
Magnet material		Nd-Fe-B 12.5X1.5mm
Polarity:	<i>Positive voltage to (+), the diaphragm move forward</i>	
Remark:	Frame PC, housing material PC	

GREWUS		dimensions without tolerance:	GB/T180	scale:	
Designed by:	Ralf Hinnerichs	18.04.2008	part number: SH3432P-03A	index:	Date:
Released by:	Ralf Hinnerichs	21.04.2008		A	18.04.2008
drawing number:			Loudspeaker	Page 1 of 4	

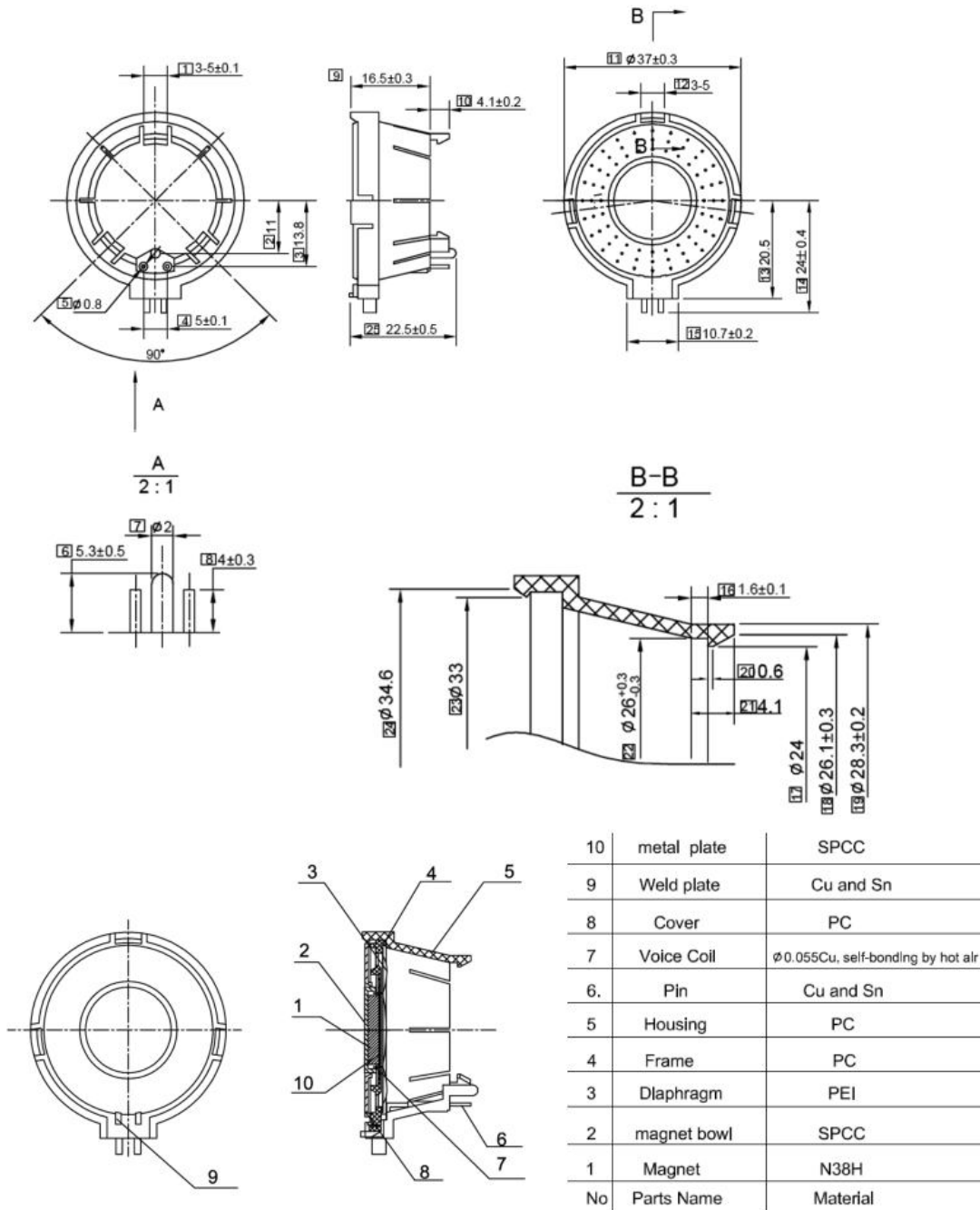
Frequency curve

Conditions:



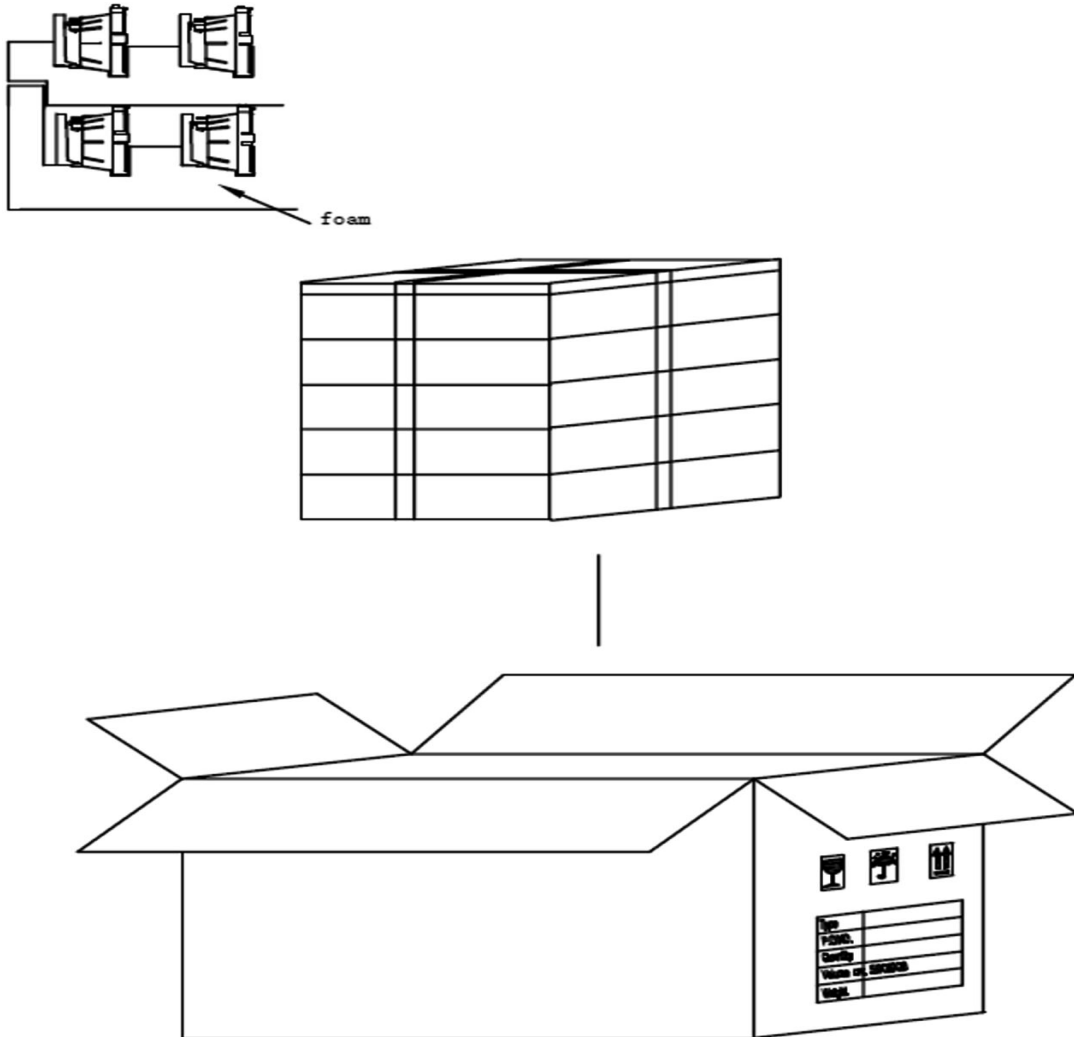
GREWUS		dimensions without tolerance: GB/T180	scale:	
Designed by: Ralf Hinnerichs	18.04.2008	part number: SH3432P-03A	index:	Date:
Released by: Ralf Hinnerichs	21.04.2008		A	18.04.2008
drawing number:		Loudspeaker		Page 2 of 4

3. Component drawing



GREWUS		dimensions without tolerance: GB/T180	scale:
Designed by: Ralf Hinnerichs	18.04.2008	part number: SH3432P-03A	index: A
Released by: Ralf Hinnerichs	21.04.2008		Date: 18.04.2008
drawing number:		Loudspeaker	Page3 of 4

4. Packageing drawing



Carton

Size: 58X25X28cm

Smalest unit:

Quantity: 500

quantity smalest unit:

Weight:

further packageing information: 50 pcs/tray, 10 trays/carton

GREWUS		dimensions without tolerance: GB/T180	scale:	
Designed by: Ralf Hinnerichs	18.04.2008	part number: SH3432P-03A	index:	Date:
Released by: Ralf Hinnerichs	21.04.2008		A	18.04.2008
drawing number:		Loudspeaker		Page 4 of 4