

1. General

Operating temperature: -20°C to +65°C Component weight [g]: 40
 Storage temperature: -30°C to +75°C
 Contact: Faston Housing color: grey
 Packageing: box IP rating: 65
 ESD conform RoHs conform: yes

Remark: Loudspeaker BMS40-12-08H4.7LF, BS/TES01.1018A, Tone: Glocke_2_index_A
 With E13 10R-03 10960

General

- The sound module plays a stored sound file one time after switching power ON
- The soundfile is stored as WAV with 22kHz / 8 bit Mono in an external memory
- The soundfile could be modified before assembly via the application programming interface
- External memory for the soundfile is 1Mbit = 128kByte, the maximum sound duration is 6s
- The sound play until end of 6s or power switched off

Manual

- No operating element existing
- Soundfile starts playing after switching ON
- Soundfile stop after 6s or interruption of power supply
- Switching ON cause a new start of the sound at the beginning

2. Electrical and acoustical specification

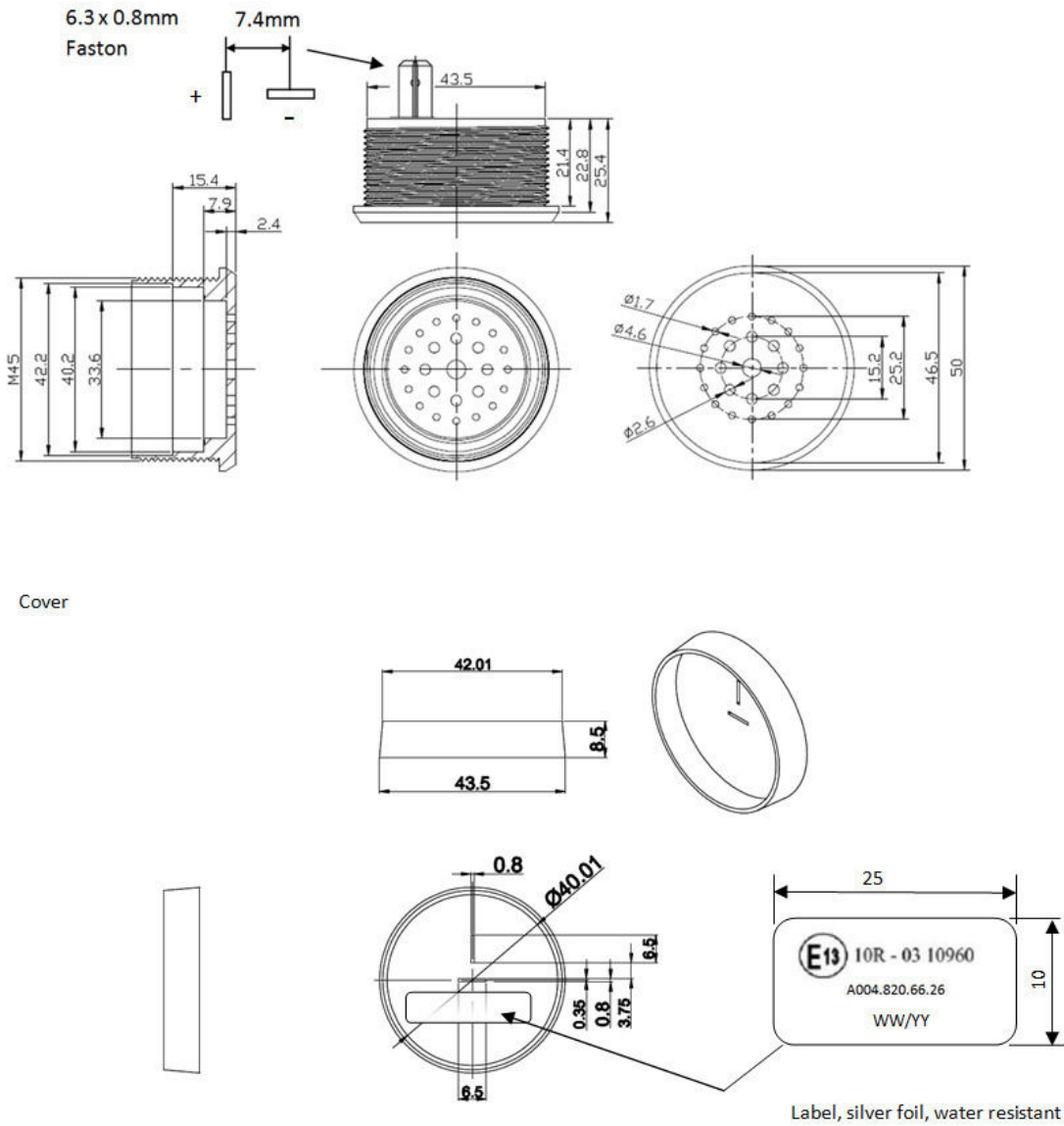
Rated voltage [V] 24
 Operating voltage [V] 10 - 30
 SPL [dB]: *1m distance* >= 85

Polarity:

Remark:

GREWUS		dimensions without tolerance: ± 0.3	scale:	
Designed by: Ralf Hinnerichs	12.04.2010	part number: SH4224P-01A	index:	Date:
Released by: Ralf Hinnerichs	10.11.2010		A	02.02.2011
drawing number: 402806238		loudspeaker	Loudspeaker	Page 1 of 2

3. Component drawing



GREWUS		dimensions without tolerance: ± 0.3		scale:	
Designed by:	Ralf Hinnerichs	12.04.2010	part number:		index:
Released by:	Ralf Hinnerichs	10.11.2010	SH4224P-01A		Date:
drawing number: 402806238		loudspeaker		Loudspeaker	
				Page 3 of	2