

1. General

Operating temperature:	-20°C to +60°C	Component weight [g]:	68
Storage temperature:	-40°C to +85°C		
Contact:	WIRE	Housing color:	black
Packageing:	box	IP rating:	67
ESD conform	<input type="checkbox"/>	RoHs conform:	yes
Remark:			

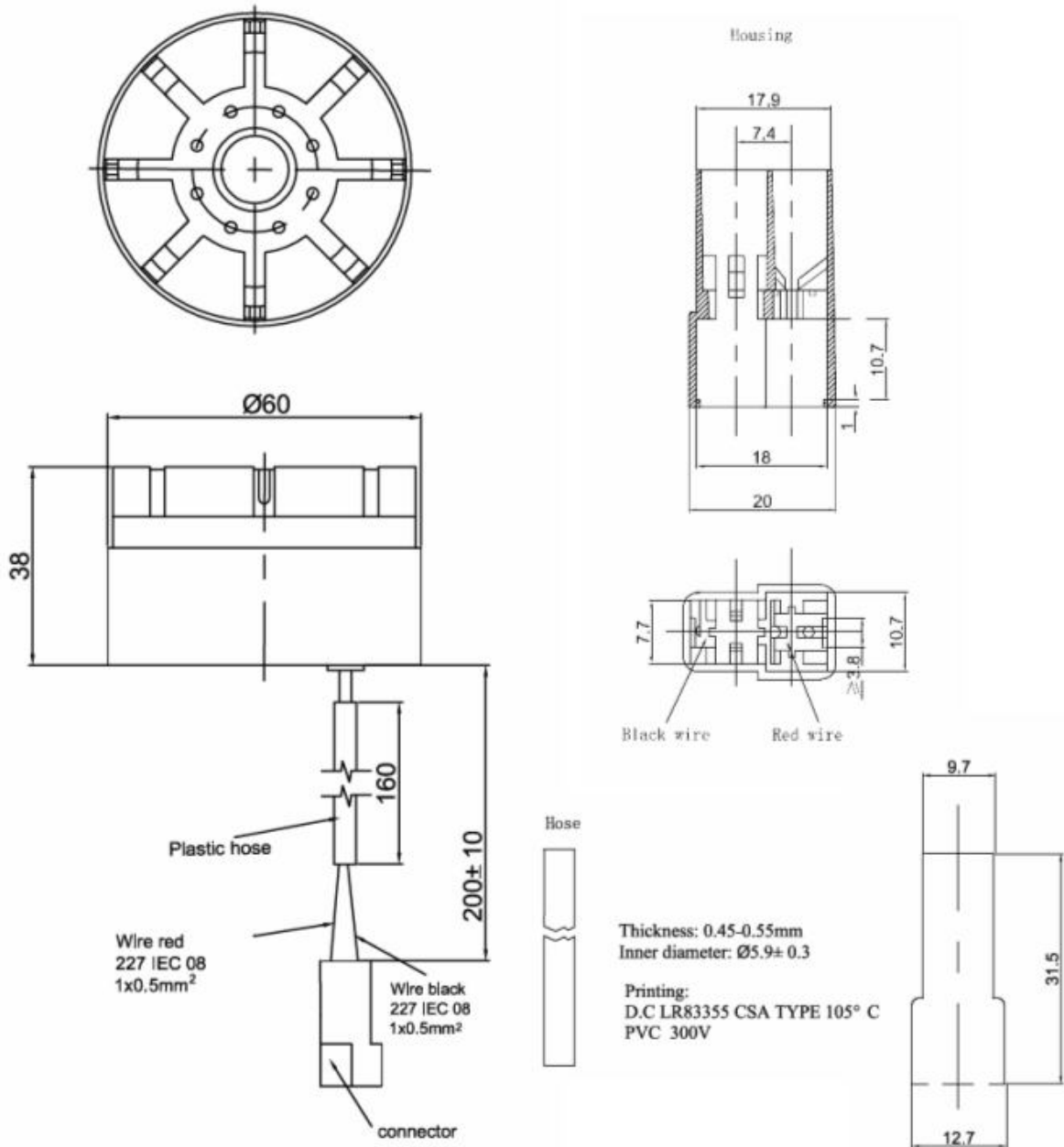


2. Electrical and acoustical specification

Impedance [Ω]		8 ± 15%
Resonance Frequency [Hz]		750 ± 20%
Frequency range [Hz]		500 - 3000
SPL [dB]:	<i>1m / 1W</i>	≥ 85
Rated input power [W]		1
Maximum input power [W]		3
Buzz and rattle		must be normal at sine
Polarity:		
Remark:		

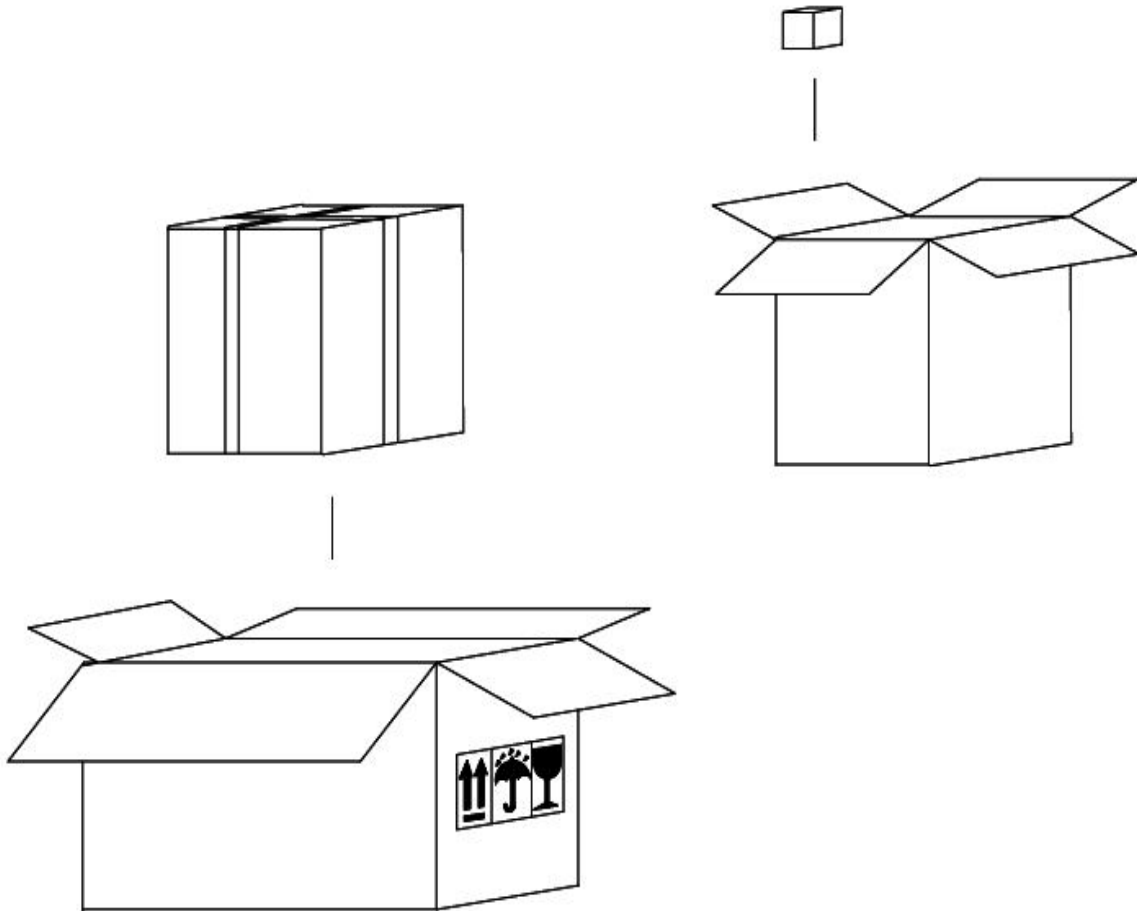
GREWUS		dimensions without tolerance:	scale:	
Designed by: KL	04.09.2007	part number: SH5708WA	index:	Date:
Released by: KL	04.09.2007		A	04.09.2007
drawing number: 393289026		Loudspeaker		Page 1 of 3

3. Component drawing



GREWUS		dimensions without tolerance:		scale:	
Designed by: KL	04.09.2007	part number:		index:	Date:
Released by: KL	04.09.2007	SH5708WA		A	04.09.2007
drawing number: 393289026			Loudspeaker		Page 2 of 3

4. Packageing drawing



Carton

Size: 56x37x33,5cm

Smalest unit: box

Quantity: 200 / carton

quantity smalest unit: 1

Weight:

further packageing information: 100 / pcs middle carton, 2 middle cartons in box

GREWUS		dimensions without tolerance:	scale:	
Designed by: KL	04.09.2007	part number:	index:	Date:
Released by: KL	04.09.2007	SH5708WA	A	04.09.2007
drawing number: 393289026		Loudspeaker		Page 3 of 3