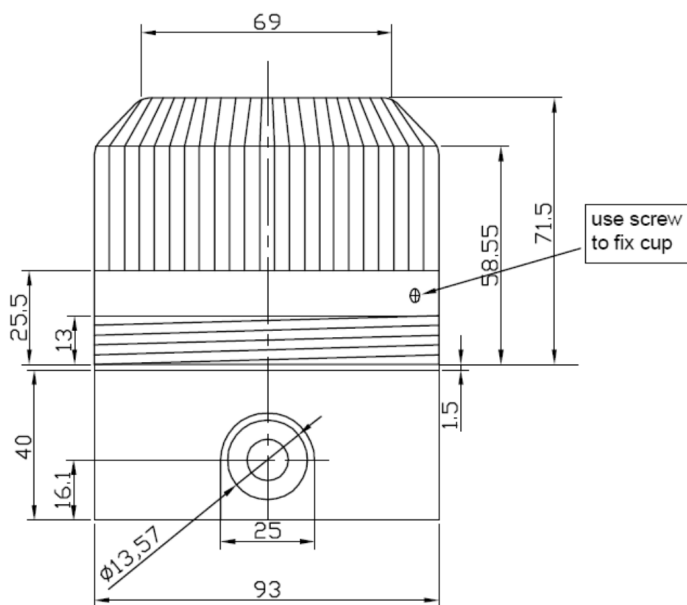


Specifications:	
Operating voltage	10 – 30 V DC
Current consumption	< 170 mA
Flash frequency	1 Hz
Flash energy	ca. 1,5 Joule
Ingress protection	IP 65 / seep base
Material of housing	Polycarbonate
Weight	0,3 kg
Color of base	red
Color of calotte	red / amber / green / clear / blue
Options	carlottes convertible



GREWUS		dimensions without tolerance:	± 0.3	scale:	
designed by:	Ralf Hinnerichs	07.10.2009	part number: G-Star Flash	index:	Date:
released by:	Ralf Hinnerichs	07.10.2009		A	07.10.2009
drawing number: 400938407			Flash	page 1 of 1	