

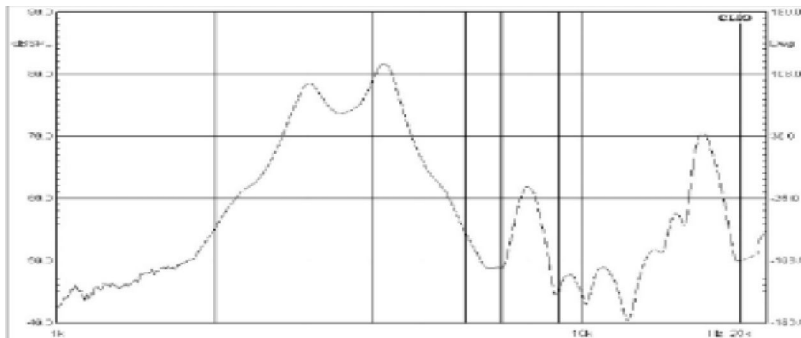
1. General

Operating temperature:	-20°C to +70°C	Component weight [g]:	1,6
Storage temperature:	-30°C to +80°C		
Contact:	SMD	Housing color:	black
Packageing:	tor	IP rating:	
ESD conform	<input checked="" type="checkbox"/>	RoHs conform:	yes
Remark:	reflowable		



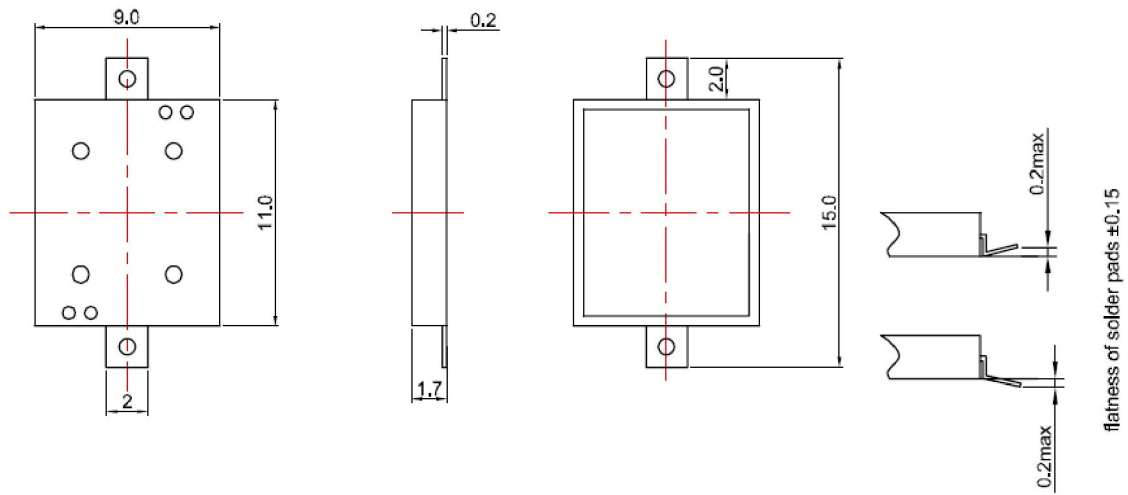
2. Electrical and acoustical specification

Resonant frequency [Hz]		4100 ± 500
Capacity [nF] at 120Hz		10 +/- 30%
Rated voltage [V]		5
Operating voltage [V]		1 - 25
SPL [dBA]:	5 Vpp, 50% duty cycle, 4.1 kHz, 10 cm, after reflow soldering no change	70
Current consumption [mA]	5 Vpp, 50% duty cycle, 4.1 kHz	≤ 1
Tone constant-pulse:		
Polarity:		
Remark:		
frequency curve:		



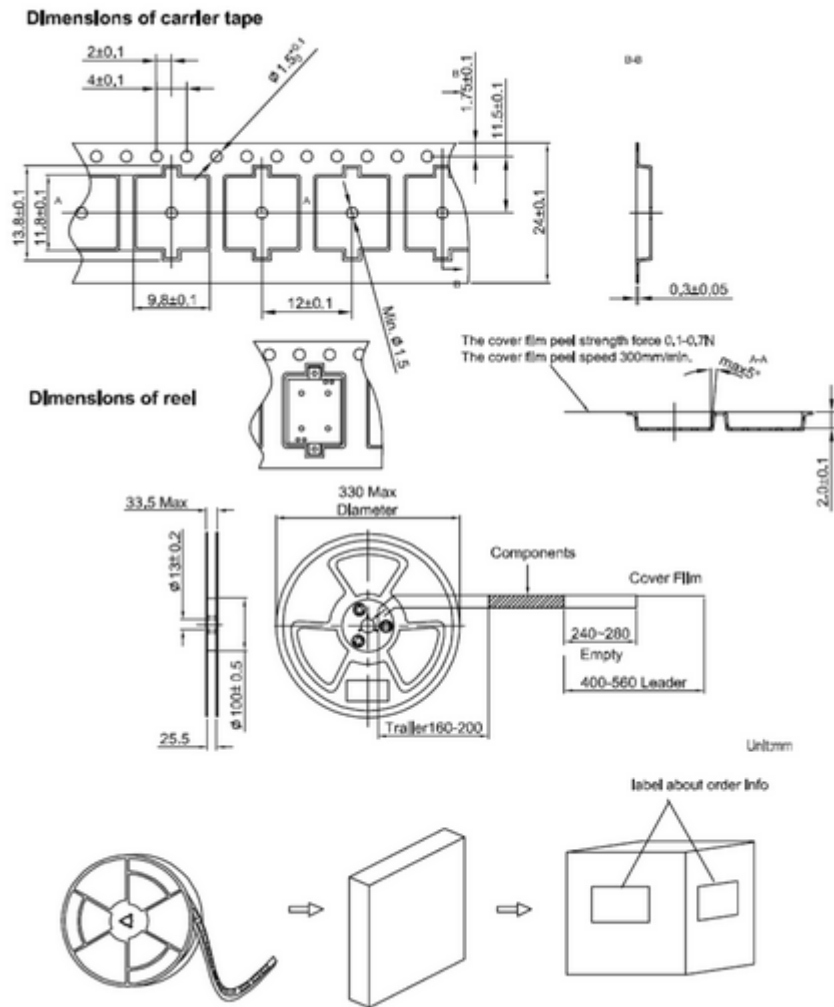
GREWUS		dimensions without tolerance:	scale:	
Designed by:	Ralf Hinnerichs	11.11.2008	part number:	index:
Released by:	Ralf Hinnerichs	11.11.2008	BPE1105SA	Date:
drawing number: 397635819		Buzzer		Page 1 of 3

3. Component drawing



GREWUS		dimensions without tolerance:	scale:	
Designed by: Ralf Hinnerichs	11.11.2008	part number:	index:	Date:
Released by: Ralf Hinnerichs	11.11.2008	BPE1105SA	A	11.11.2008
drawing number: 397635819		Buzzer	Page 2 of 3	

4. Packaging drawing



Carton

Size:

Smallest unit:

reel

Quantity:

12500 pcs / carton

quantity smallest unit:

2500 pcs / reel

Weight:

further packaging information:

5 reels / carton

GREWUS		dimensions without tolerance:	scale:	
Designed by:	Ralf Hinnerichs	11.11.2008	part number:	index:
Released by:	Ralf Hinnerichs	11.11.2008	BPE1105SA	Date:
drawing number: 397635819			11.11.2008	
			Page 3 of 3	