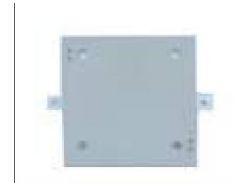


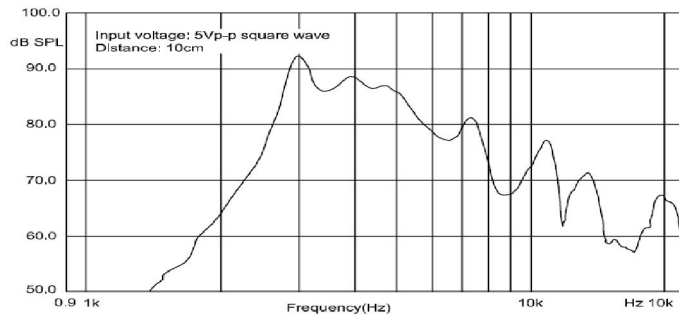
1. General

Operating temperature: -40°C to +120°C Component weight [g]: 1
 Storage temperature: -40°C to +120°C
 Contact: SMD Housing color:
 Packageing: tor IP rating:
 ESD conform RoHs conform: yes
 Remark:



2. Electrical and acoustical specification

Resonant frequency [Hz] 4000
 Capacity [nF] at 120Hz 14 +/- 30%
 Rated voltage [V] 5
 Operating voltage [V] 1 - 25Vpp
 SPL [dBA]: 10cm, 5 Vpp, 4 kHz, square wave 50% duty cycle, after reflow soldering no change ≥ 70
 Current consumption [mA]: 5 Vpp, 4 kHz, square wave 50% duty cycle ≤ 3
 Tone constant-pulse:
 Polarity:
 Remark:
 frequency curve:

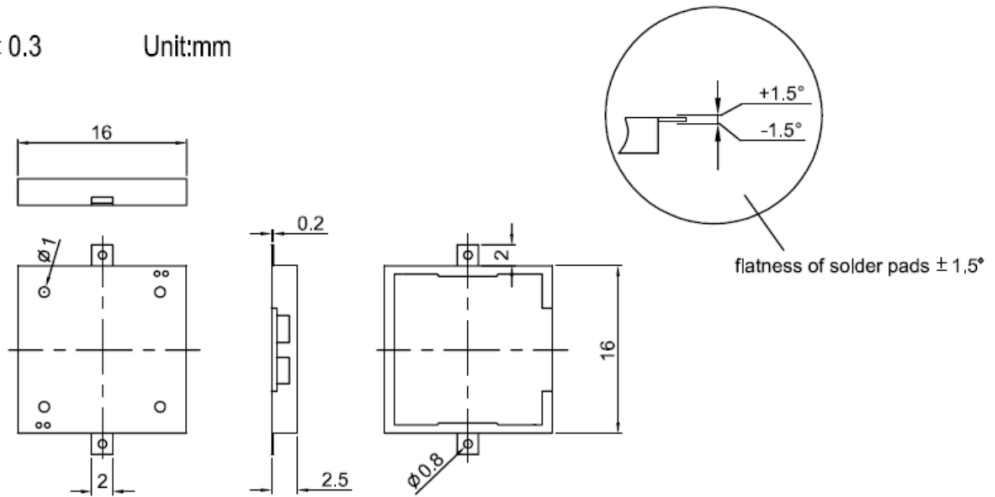


GREWUS		dimensions without tolerance:	scale:	
Designed by: Ralf Hinnerichs	11.03.2009	part number:	index:	Date:
Released by: Ralf Hinnerichs	11.03.2009	BPE1605SA	A	11.03.2009
drawing number: 398837292		Buzzer	Page 1 of 3	

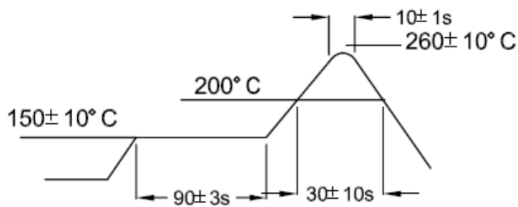
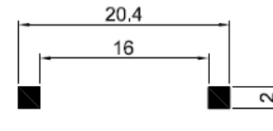
3. Component drawing

Tolerance: ± 0.3

Unit: mm

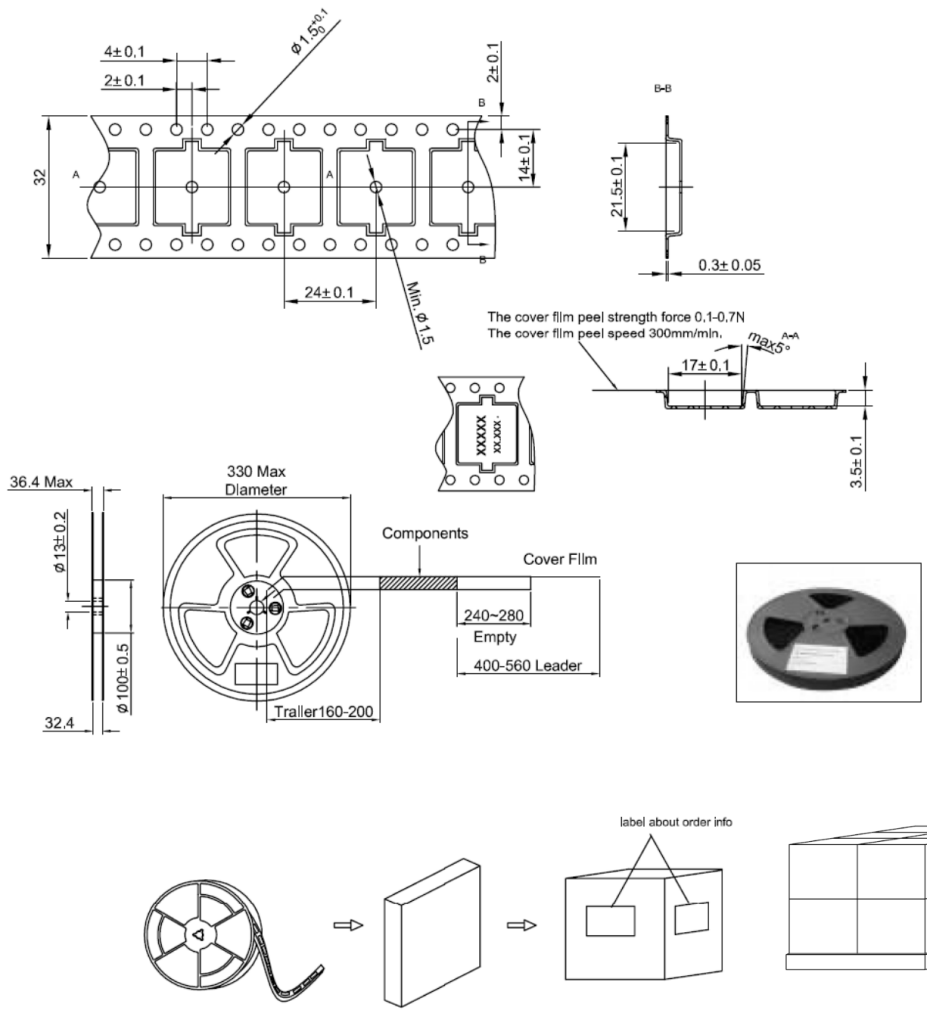


land pattern



GREWUS		dimensions without tolerance:	scale:	
Designed by: Ralf Hinnerichs	11.03.2009	part number:	index:	Date:
Released by: Ralf Hinnerichs	11.03.2009	BPE1605SA	A	11.03.2009
drawing number: 398837292		Buzzer		Page 2 of 3

4. Packageing drawing



Carton

Size: 38 x 28 x 37 cm

Smallest unit: reel

Quantity: 4000 pcs / carton

quantity smallest unit: 800 pcs / reel

Weight:

further packageing information: 5 reels / carton

GREWUS		dimensions without tolerance:	scale:	
Designed by: Ralf Hinnerichs	11.03.2009	part number:	index:	Date:
Released by: Ralf Hinnerichs	11.03.2009	BPE1605SA	A	11.03.2009
drawing number: 398837292		Buzzer		Page 3 of 3