

# Component specification

US1440PA

Index A

Ultrasonic Sensor

## 1. General

Operating temperature: -40°C to +85°C      Component weight [g]:  
Storage temperature: -40°C to +85°C  
Contact: PIN      Housing color: aluminium  
Packageing: tray      IP rating:  
ESD conform       RoHs conform: yes  
Remark:

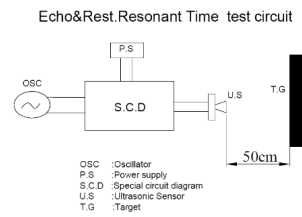
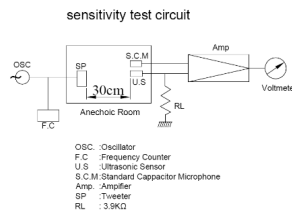
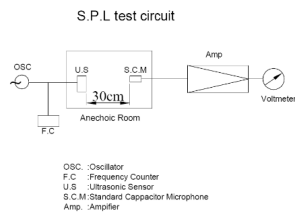
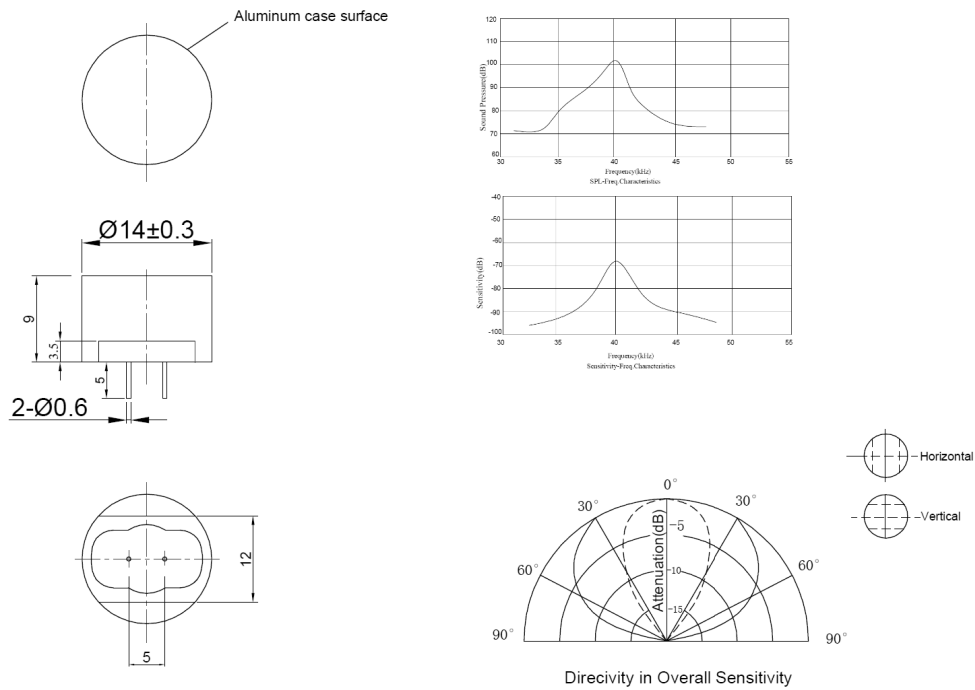


## 2. Electrical and acoustical specification

Using method      Dual mode  
Detectable range [m]      0.3 - 1.5  
Center frequency [kHz]      40  
Capacity [nF] at 1kHz      2.2 +/- 25%  
Beam pattern [deg]      110 x 45  
Sensitivity [dB/V/μbar]      -75  
SPL [dBA]:      30cm/10Vrms Sine Wave      97  
Tone constant-pulse:  
Polarity:  
Remark:  
frequency curve:

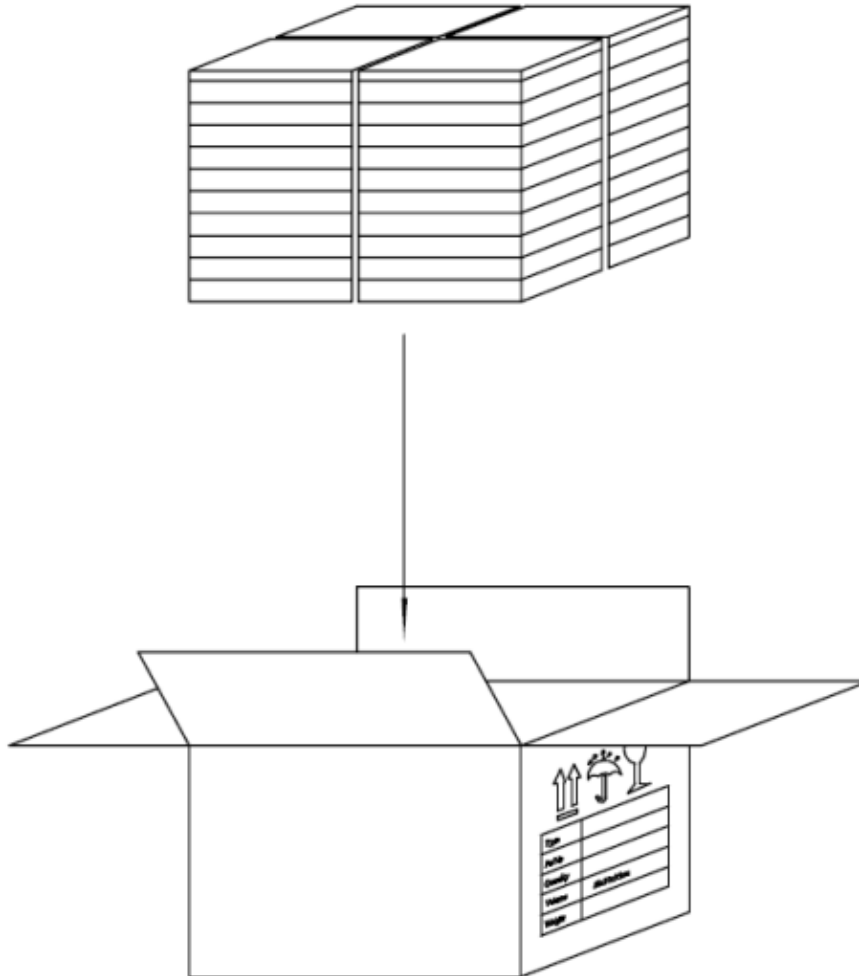
<b>GREWUS</b>		dimensions without tolerance: +/- 0.5	scale:	
Designed by: Ralf Hinnerichs	06.09.2009	part number: <b>US1440PA</b>	index:	Date:
Released by: Ralf Hinnerichs	06.09.2009		<b>A</b>	06.09.2009
drawing number: <b>400643106</b>		<b>Ultrasonic Sensor</b>		Page 1 of 3

3. Component drawing



<b>GREWUS</b>		dimensions without tolerance: +/- 0.5	scale:	
Designed by: Ralf Hinnerichs	06.09.2009	part number:	index: <b>A</b>	Date: 06.09.2009
Released by: Ralf Hinnerichs	06.09.2009	<b>US1440PA</b>		
drawing number: <b>400643106</b>		<b>Ultrasonic Sensor</b>		Page 2 of 3

4. Packageing drawing



**Carton**

Size: 50 x 30 x 35cm

Smalest unit: tray

Quantity: 2000 pcs / carton

quantity smalest unit: 50 pcs / tray

Weight:

further packageing information: 40 trays / carton

<b>GREWUS</b>		dimensions without tolerance: +/- 0.5	scale:	
Designed by: Ralf Hinnerichs	06.09.2009	part number: <b>US1440PA</b>	index:	Date:
Released by: Ralf Hinnerichs	06.09.2009		<b>A</b>	06.09.2009
drawing number: <b>400643106</b>		<b>Ultrasonic Sensor</b>		Page 3 of 3