

# BMI 1606PWL A

## MAGNETIC BUZZER

### CONTENT

1. Specifications
2. Drawing
3. Test Method
4. Reliability Test
5. Packing
6. History Change Record

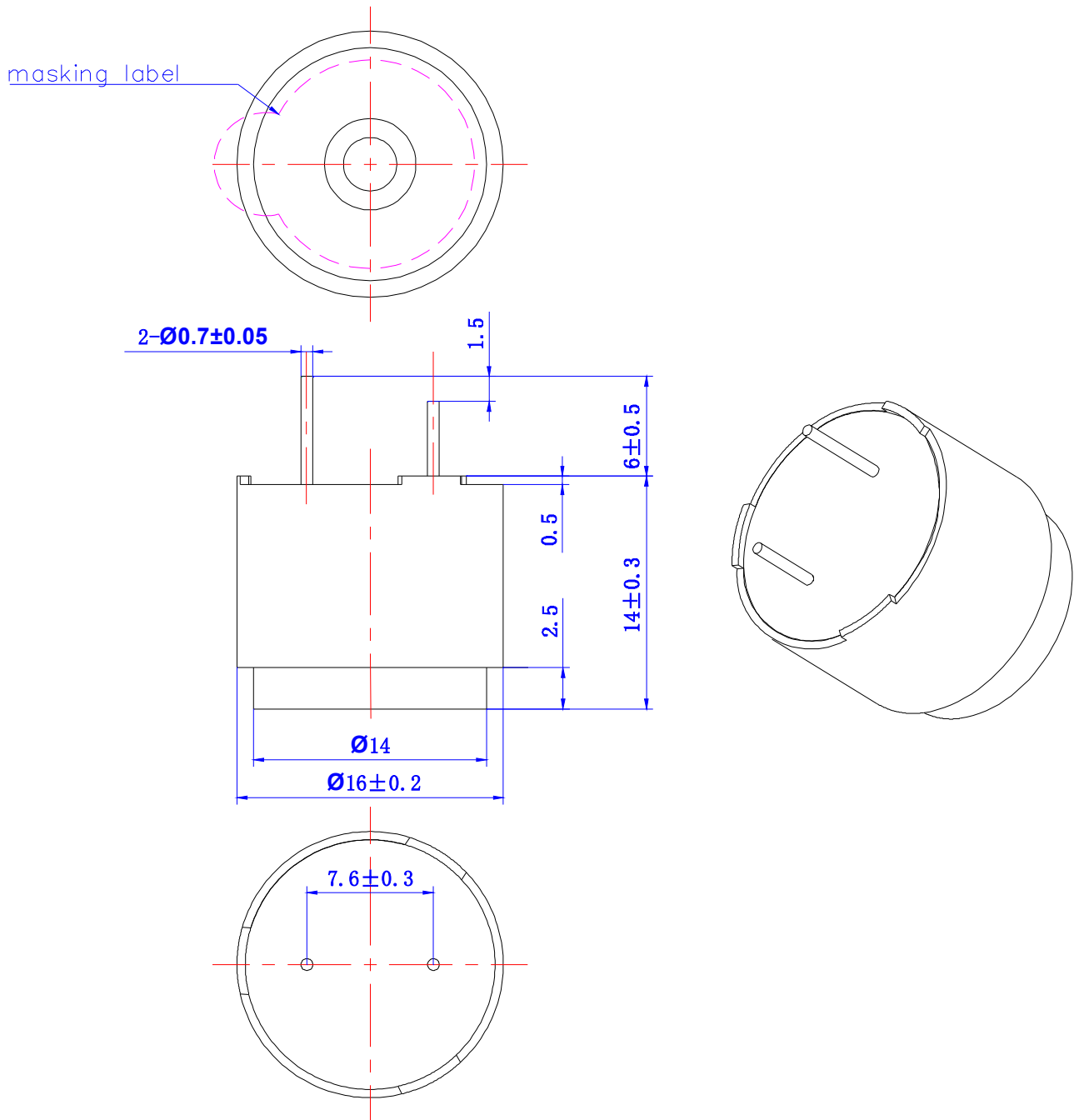


## 1. SPECIFICATIONS

Parameter	Unit	Conditions / Description	MIN	TYP	MAX
Operating Voltage	V <sub>DC</sub>		4		8
Rated Voltage	V <sub>DC</sub>			6	
SPL	dB(A)	At rated voltage, in 0.1m distance	85		
Rated Current	mA	At rated voltage			30
Resonance Frequency	Hz	At rated voltage	2.000	2.300	2.600
Response Time	ms	At minimum operating voltage			50
Contact				PIN	
Packaging				TRAY	
Operating Temperature	C°		-30		+85
Storage Temperature	C°		-40		+85
Weight	g			7	

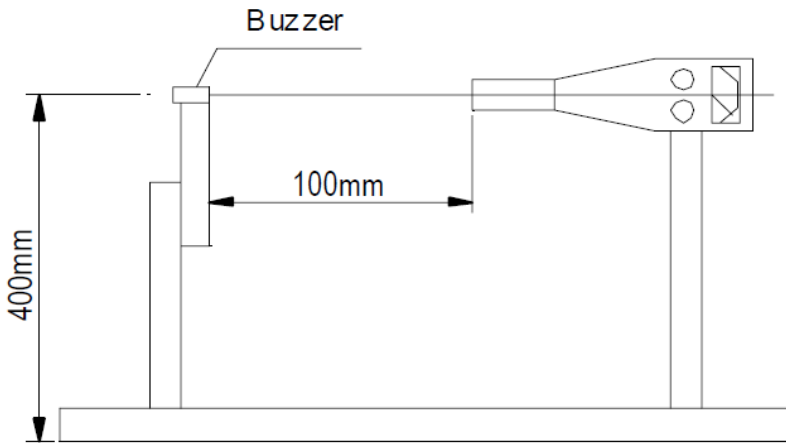
DESIGNED BY	Ralf Hinnerichs	DATE	2009.08.14	PART NO.	BME 1606PWL A	INDEX	A
RELEASED BY	Ralf Hinnerichs	DATE	2009.08.14				
CHANGED BY	Christopher Pagel	DATE	2019.07.22				
DRAWING NO.	402985641						

## 2. DRAWING



DESIGNED BY	Ralf Hinnerichs	DATE	2009.08.14	PART NO.	INDEX
RELEASED BY	Ralf Hinnerichs	DATE	2009.08.14	BME 1606PWL A	A
CHANGED BY	Christopher Pagel	DATE	2019.07.22		
DRAWING NO.	402985641				

**3. TEST METHOD**



**4. RELIABILITY TEST**

**4.1 High temperature test**

Temperature +85°C  
Duration 96 hours

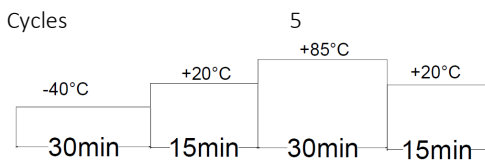
**4.2 Low temperature test**

Temperature -40°C  
Duration 96 hours

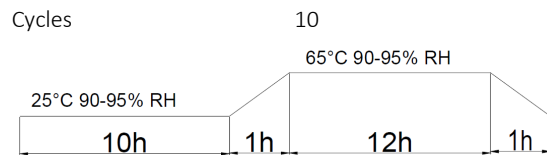
**4.3 Life Test in normal temperature**

Power supply Rated voltage  
Duration 1.000 hours

**4.4 Temperature cycle test**



**4.5 Humidity cycle test**



All these tests above should be measured after leaving normal temperature for 2 hours.

**4.6 Drop Test**

Height 100cm (to 10mm thick wooden board)  
Direction 3

**4.7 Solderability test**

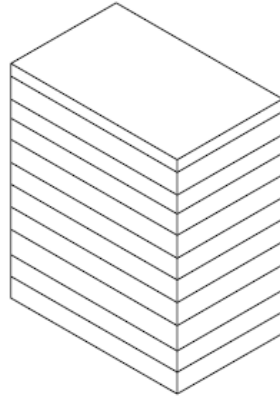
Solderability temperature 255°C  
Heat applying time 3 seconds

**Notice:** All specification must be satisfied in this condition except SPL. SPL shall be 80dB or more.

DESIGNED BY	Ralf Hinnerichs	DATE	2009.08.14	PART NO.	BME 1606PWL A	INDEX	A
RELEASED BY	Ralf Hinnerichs	DATE	2009.08.14				
CHANGED BY	Christopher Pagel	DATE	2019.07.22				
DRAWING NO.	402985641						

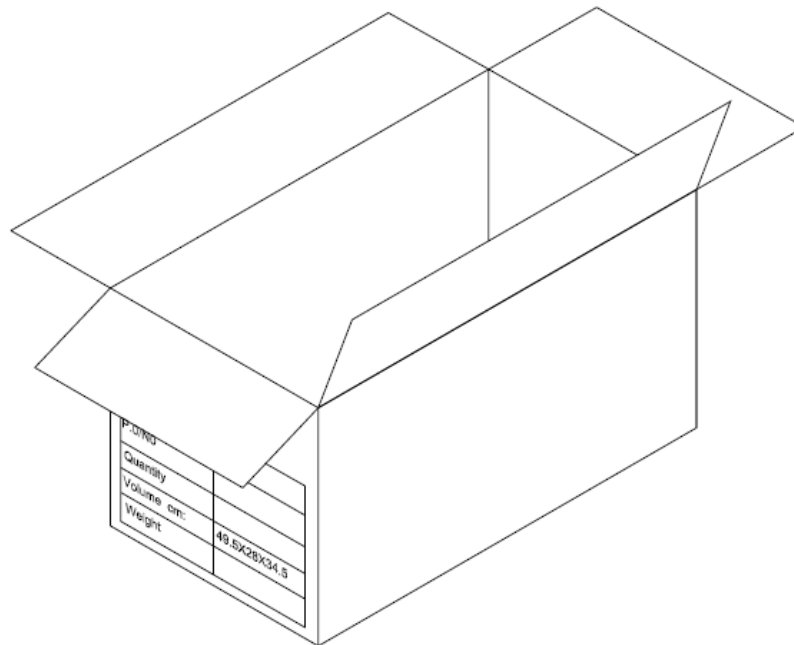
**5. PACKING**

**5.1 PACKING DRAWING**



**5.2 PACKING QUANTITY**

50pcs per tray  
40 trays per carton  
2.000 pcs per carton in total  
Carton size: 49.5x28x34.5cm



**6. HISTORY CHANGE RECORD**

No.	CHANGE ITEMS		DATE
	BEFORE CHANGE	AFTER CHANGE	
1	Old layout	New layout	2019.07.22

DESIGNED BY	Ralf Hinnerichs	DATE	2009.08.14	PART NO.	BME 1606PWL A	INDEX	A
RELEASED BY	Ralf Hinnerichs	DATE	2009.08.14				
CHANGED BY	Christopher Pagel	DATE	2019.07.22				
DRAWING NO.	402985641						