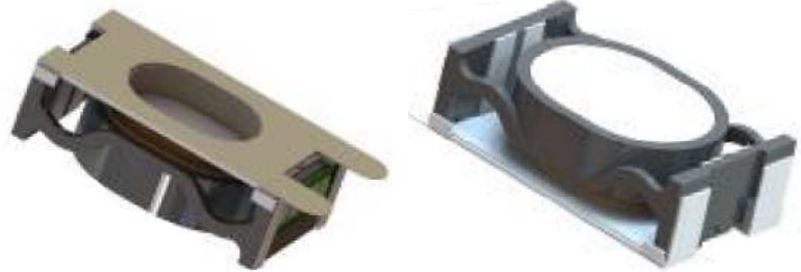


EXS 241408W A

EXCITER

CONTENT

1. Specifications
2. Drawing
3. Test Method
4. Reliability Test
5. Packing
6. Notice
7. History Change Record



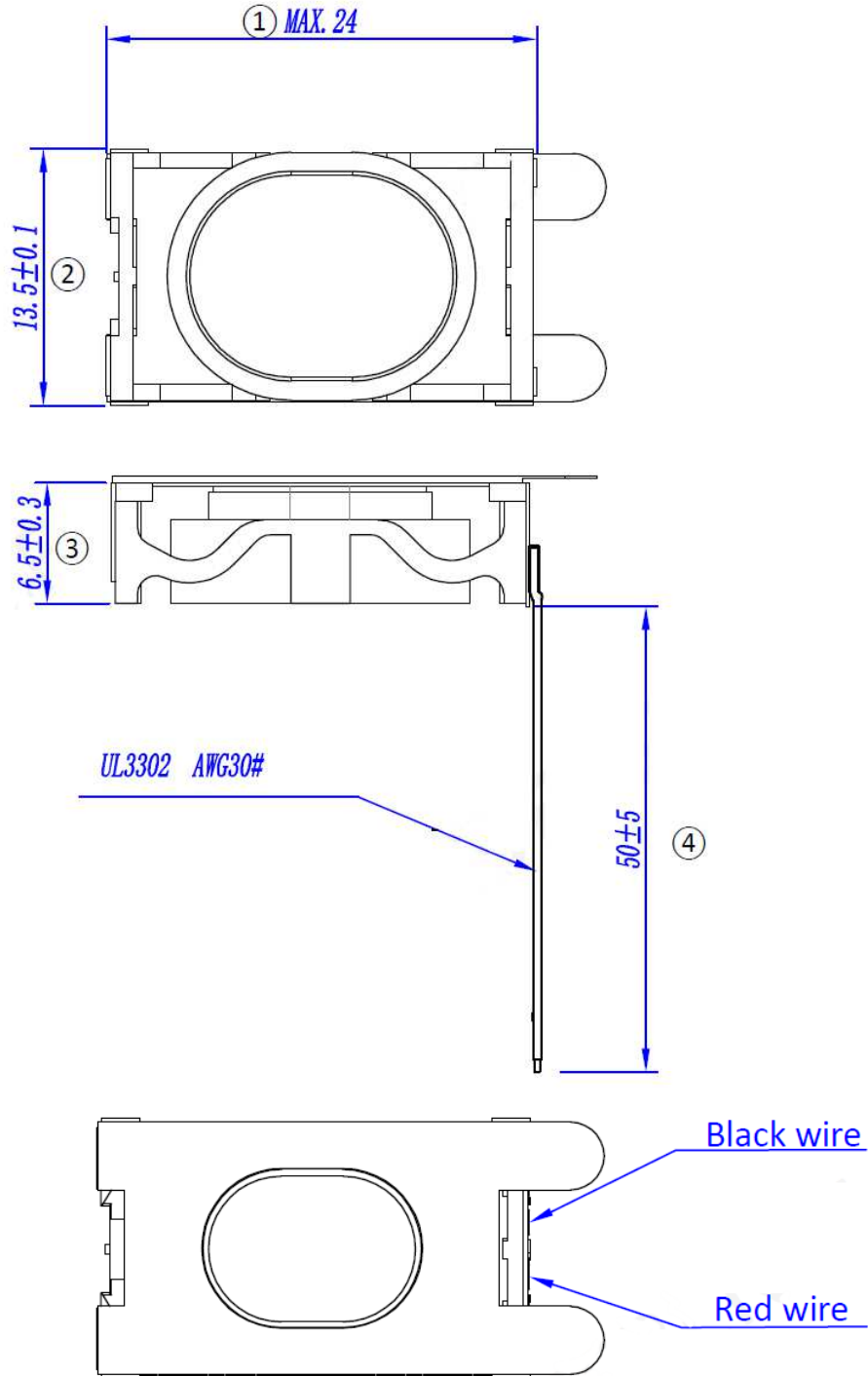
1. SPECIFICATIONS

Parameter	Unit	Conditions / Description	MIN	TYP	MAX
Input Power	W			2	3
Impedance	Ω	At 1.000Hz	6,8	8	9,2
Resonance Frequency	Hz		162	180	198
Frequency Response	Hz		F0		10.000
Acceleration	Grms	At 1W, at 10g jig	6		
Buzz & Rattle		Must be normal at sine wave 4Vrms on the glass plate			
Contact				WIRE	
Packaging				TRAY	
Operating Temperature	$^{\circ}\text{C}$		-40		+85
Storage Temperature	$^{\circ}\text{C}$		-40		+105
Weight	g			TBD	

DESIGNED BY	Rabea Richter	DATE	2020.10.23	PART NO.	EXS 241408W A	INDEX	A
RELEASED BY	Ralf Hinnerichs	DATE	2020.10.23				
CHANGED BY		DATE					
DRAWING NO.	441274177						

2. DRAWING

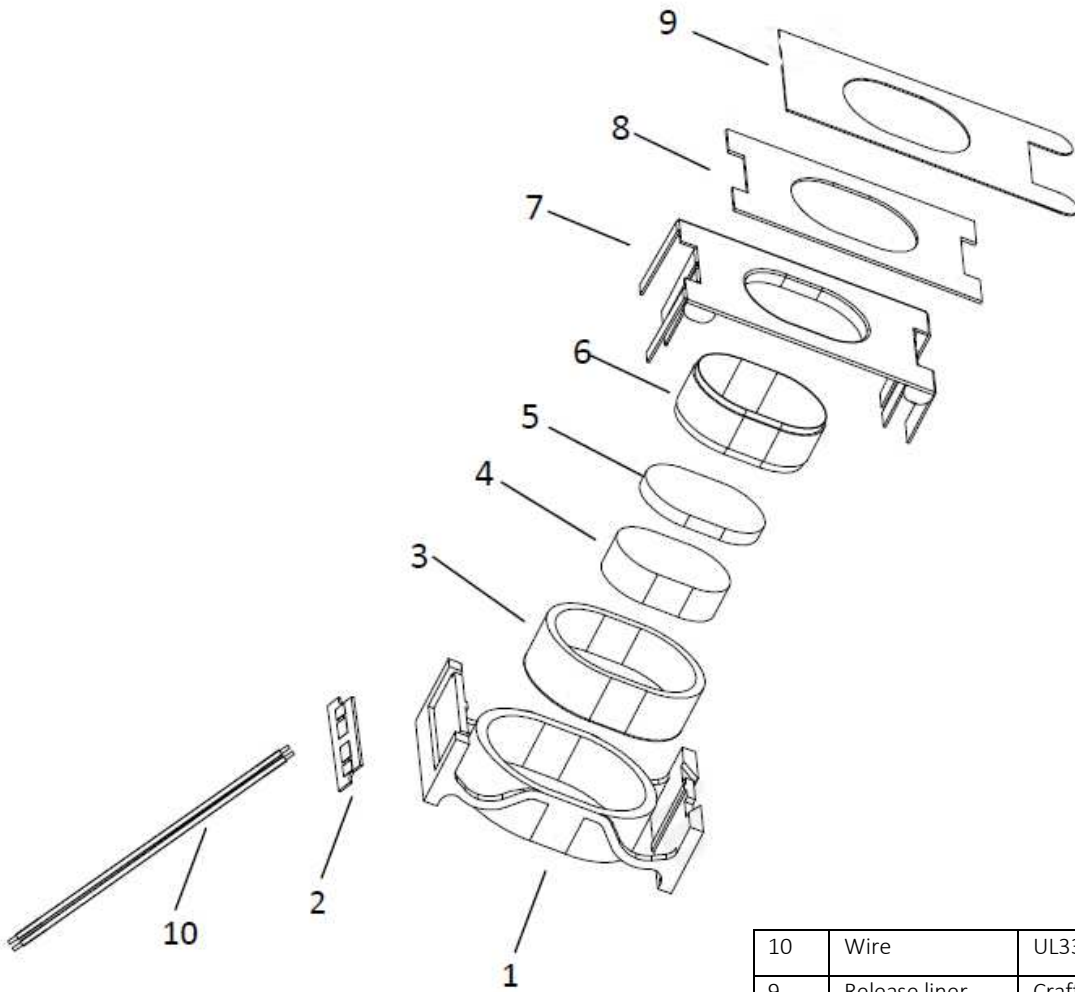
2.1 PRODUCT DIMENSIONS



Unit: mm

DESIGNED BY	Rabea Richter	DATE	2020.10.23	PART NO.	EXS 241408W A	INDEX	A
RELEASED BY	Ralf Hinnerichs	DATE	2020.10.23				
CHANGED BY		DATE					
DRAWING NO.	441274177						

2.2 PART LIST

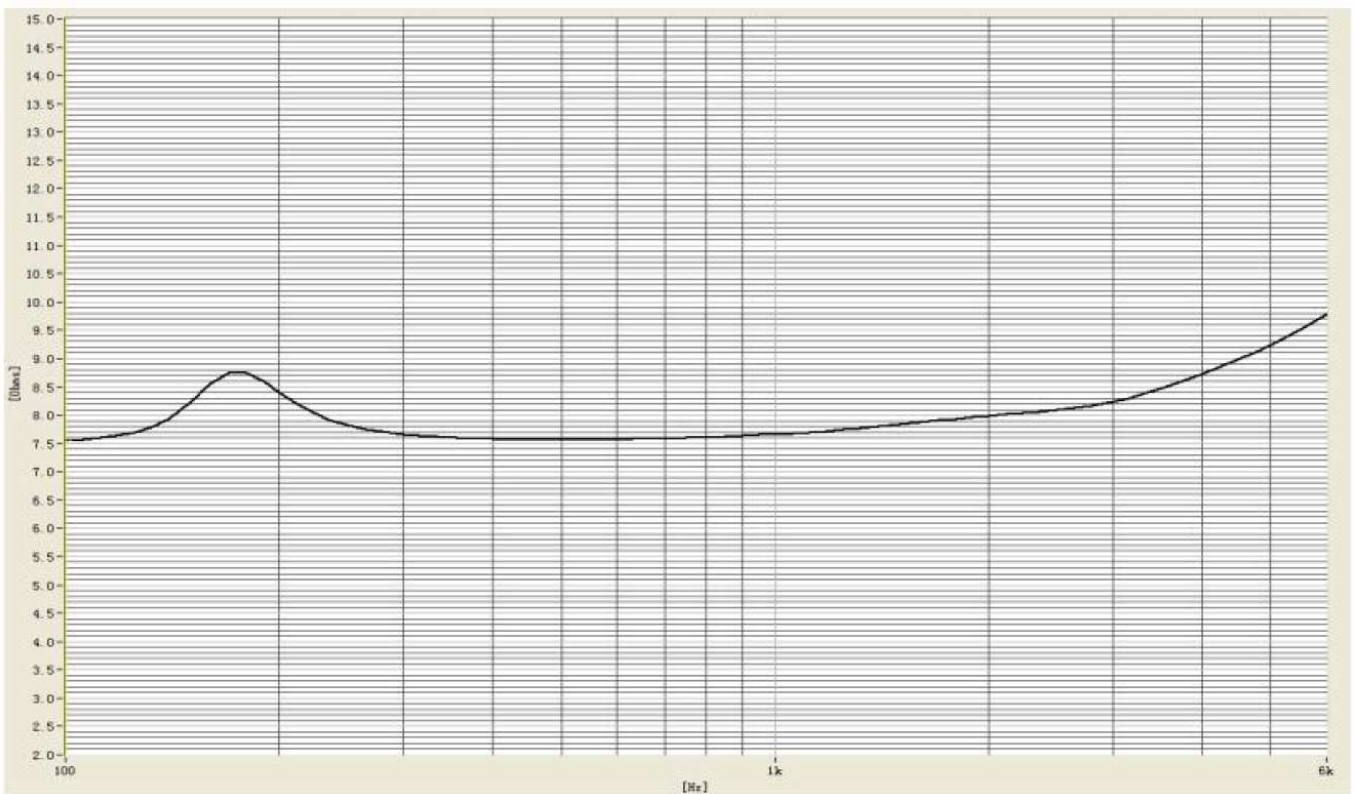


10	Wire	UL3302 AWG30#
9	Release liner	Craft Paper
8	Double glue	3M
7	Base Plate	SUS
6	Voice Coil	AL+SV
5	UP Plate	SPCC
4	Magnet	NdFeB
3	U-Yoke	SPCC
2	PCB	Epoxy+Cu
1	Frame	Plastic
No.	Part Name	Material

DESIGNED BY	Rabea Richter	DATE	2020.10.23	PART NO. EXS 241408W A	INDEX A
RELEASED BY	Ralf Hinnerichs	DATE	2020.10.23		
CHANGED BY		DATE			
DRAWING NO.	441274177				

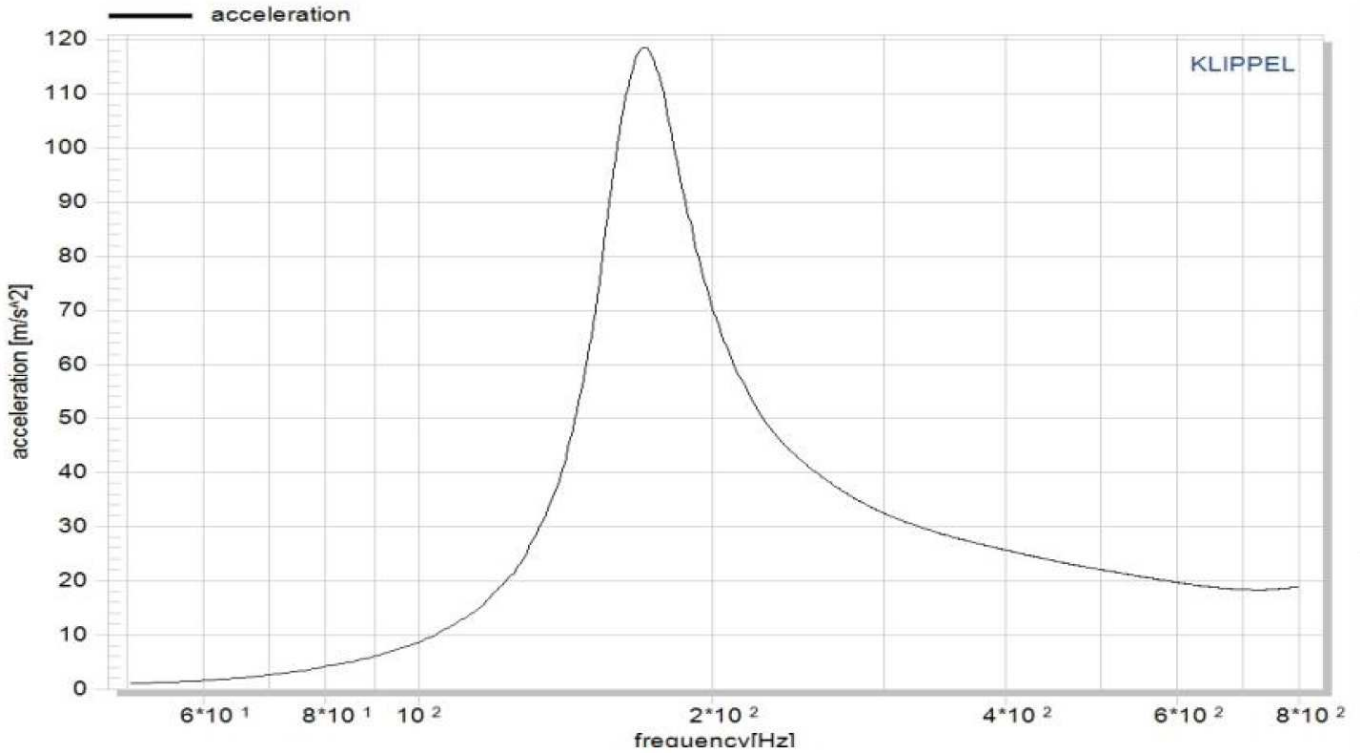
3. TEST METHOD

3.1 IMDEDANCE RESPONSE CURVE (only for reference)



DESIGNED BY	Rabea Richter	DATE	2020.10.23	PART NO.	EXS 241408W A	INDEX	A
RELEASED BY	Ralf Hinnerichs	DATE	2020.10.23				
CHANGED BY		DATE					
DRAWING NO.	441274177						

3.2 ACCELERATION CURVE (only for reference)



4. RELIABILITY TEST

4.1 Load Test

Power (Nom) 2W
 Duration 96 hours

4.4 Damp Heat

Temperature +40 ±3°C
 Relative Humidity 90~95% RH
 Duration 96 hours

4.2 High Temperature Test

Temperature +85 ±3°C
 Duration 96 hours

4.3 Low Temperature Test

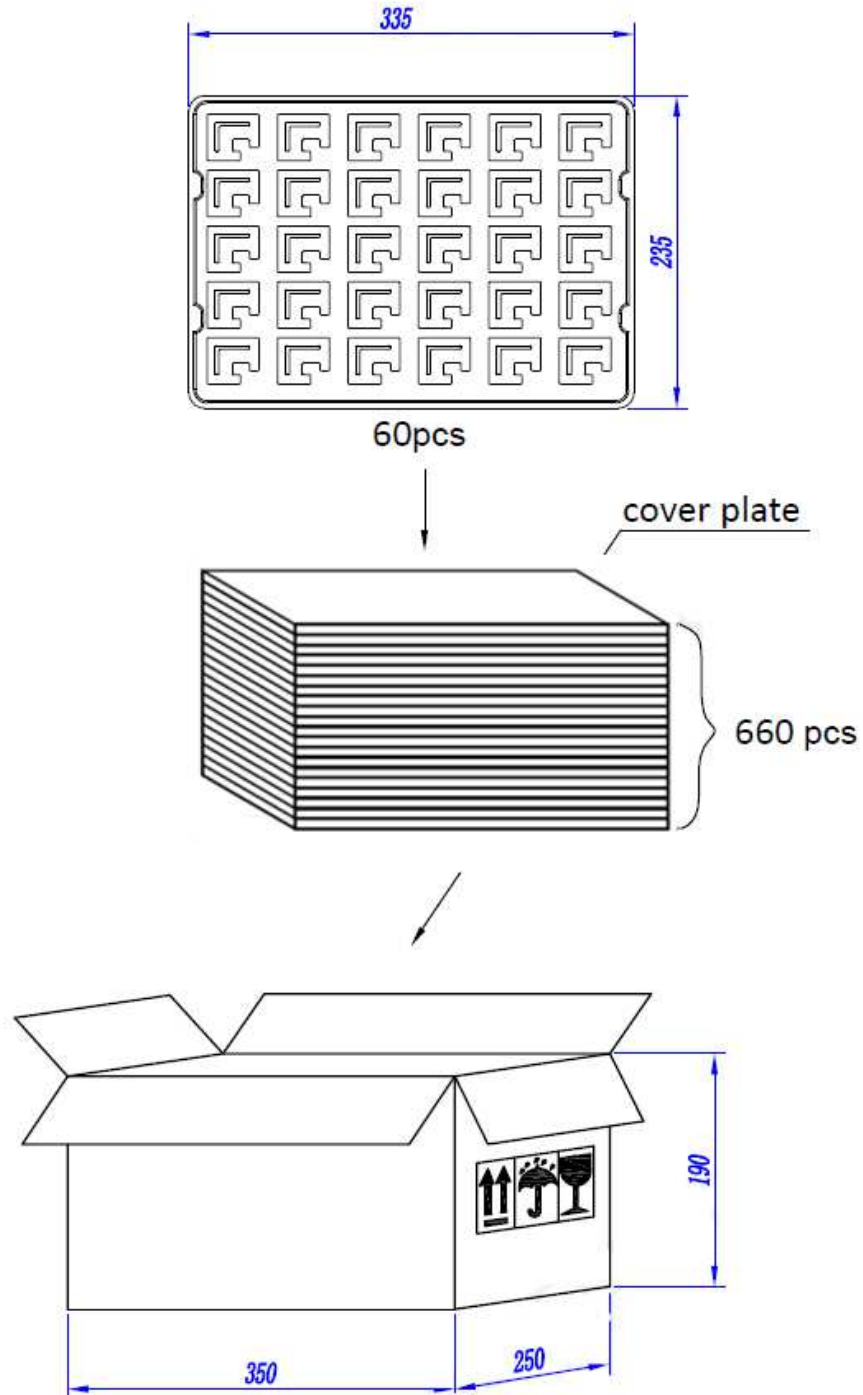
Temperature -40 ±3°C
 Duration 96 hours

Notice: After the test, all electronic and acoustic characteristics should be satisfied with the specification.

DESIGNED BY	Rabea Richter	DATE	2020.10.23	PART NO.	EXS 241408W A	INDEX	A
RELEASED BY	Ralf Hinnerichs	DATE	2020.10.23				
CHANGED BY		DATE					
DRAWING NO.	441274177						

5. PACKING

5.1 PACKING DRAWING



5.2 PACKING QUANTITY

60pcs per tray

11 trays per carton

660pcs per carton in total

Box size 35x25x19cm

DESIGNED BY	Rabea Richter	DATE	2020.10.23	PART NO.	EXS 241408W A	INDEX	A
RELEASED BY	Ralf Hinnerichs	DATE	2020.10.23				
CHANGED BY		DATE					
DRAWING NO.	441274177						

6. NOTICE

6.1 The products must not be washed

6.2 Storage Condition

The products should be stored in a room, where the temperature/humidity is stable. And avoid such places where there are large temperature changes. Please store the products at the following conditions:

Temperature: -10 to +40°C Humidity:15 to 85% R.H.

6.3 Expire Date on Storage

Expire date (Shelf life) of the products is six months after delivery under the conditions of a sealed and an unopened package. Please use the products within six months after delivery. If you store the products for a longer time (more than six months), then use them carefully because the products may be degraded in the solderability and/or rusty. Please confirm solderability and characteristics for the products regularly.

6.4 Notice on Product Storage

- 1) Please do not store the products in a chemical atmosphere (Acids, Alkali, Bases, Organic gas, Sulfides and so on), because the characteristics may be reduced in quality, and/or be degraded in the solderability due to the storage in a chemical atmosphere.
- 2) Please use the products immediately after the package is opened, because the characteristics may be reduced in quality, and/or be degraded in the solderability due to the storage under the poor condition.

6.5 Rated and Max-input power

Rated input power

Rated input power is the maximum (limit) value which can be input to the component intentionally. If the actual input power to component keeps exceeding the Rated Input power, it will damage the component acoustic performances and reliability. In the worst case, the component will get broken and no sound.

Max-input power

Max-input power is the maximum (limit) value for unexpected input power which is caused in the customer's circuit like surge voltage. If the actual input power to the component keeps exceeding the maximum input power, it will break the component and cause no sound in a short time. Please note that the components will have a risk to get broken if the unexpected input power continues.

The value of input power is set based on the sinusoidal power in the normal speaker use. If the special signal is input to component, the values of Rated and Max-input power will be different. Please make a well-investigation at your laboratory in the case of the special signal input.

DESIGNED BY	Rabea Richter	DATE	2020.10.23	PART NO.	EXS 241408W A	INDEX	A
RELEASED BY	Ralf Hinnerichs	DATE	2020.10.23				
CHANGED BY		DATE					
DRAWING NO.	441274177						

7. HISTORY CHANGE RECORD

REV	CHANGE ITEMS		DATE
	BEFORE CHANGE	AFTER CHANGE	

DESIGNED BY	Rabea Richter	DATE	2020.10.23	PART NO. EXS 241408W A	INDEX A
RELEASED BY	Ralf Hinnerichs	DATE	2020.10.23		
CHANGED BY		DATE			
DRAWING NO.	441274177				